

IT-9635MIG-HD-2MP IT-9635AIG-HD-2MP



2.0 Megapixel HD Network Ultra WDR Indoor Dome Camera



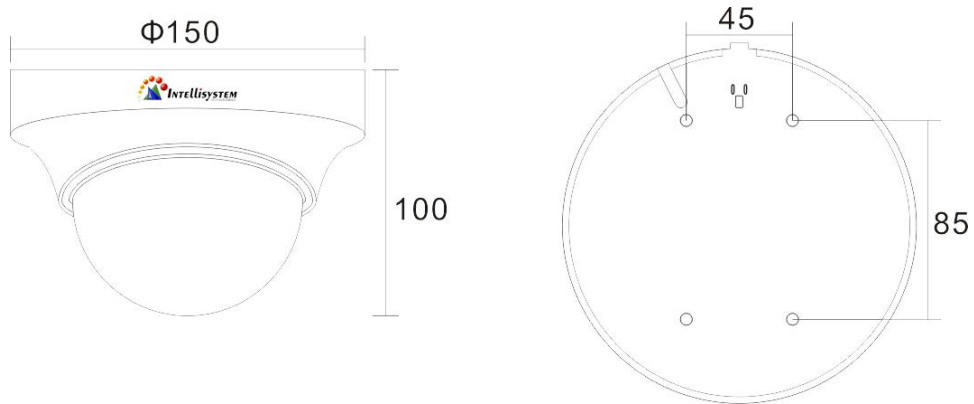
FEATURES

- Ultra WDR, H.265/H.264/M-JPEG, Support Multiple Code Stream
- HDTV, 1080P Full Real-Time Transmission
- Support ONVIF, Built-in Auto Double Filter Switching Mechanism, True Day/Night
- Support 3D DNR, Mobile Surveillance, IR 30M
- Support DC12V/AC24V/POE



SPECIFICATIONS

Model	Model No.		IT-9635MIG-HD-2MP	IT-9635AIG-HD-2MP
	Type		2 Mega HD Super WDR IR Indoor Dome Camera	2 Mega HD Super WDR IR Indoor Dome Camera
Camera	Sensor		1/2.8" Progress Scan CMOS	
	Resolution	Main Stream	1920*1080, 1-25(30) FPS; 1280*720, 1-25(30) FPS;	
		Sub Stream	704*576, 1-25(30) FPS; 640*480, 1-25(30) FPS	
	Min. Illumination		Color 0.005Lux@F1.2; B/W 0Lux@F1.2 (IR ON)	
	IR Distance		30M	
	S/N Ratio		≥52db	
	WDR		≥160db	
	Electronic Shutter		1~ 1/10000 sec. Auto	
	Lens		2.8-12mm Manual Zoom Lens	2.8-12mm HD Motorized Focus Lens
Day & Night		IR Cut Optical Filter		
Audio/Video Setting	Video Compression		H.265/ H.264/M-JPEG, Support for Multiple Output Code	
	Code Stream		32Kbps-16Mbps, Support CBR/VBR	
	Video Adjustment		Brightness/ Contrast / Chroma/ Saturation/ Sharpness / GAMMA	
	Intelligent Features		Intelligent Code Stream, Video Mask, Out-of-focus Detection, Intelligent Switch Control	
	Image Flip		Horizontal, Vertical, Horizontal & Vertical	
	Motion Detection		Support	
	Privacy Mask		Support	
	3D DNA		High/Medium/Low	
	OSD Setting		Support Channel Name, Date Time, Code Stream Overlay	
Network	Interface		10/100 M Ethernet (RJ-45)	
	Protocol		TCP/IP, UDP, RTP, RTSP, RTCP, HTTP, DNS, DDNS, DHCP, FTP, NTP, PPPOE, SMTP, UPNP	
	ONVIF		Onvif 2.4	
	Access Control		Administer and Common User	
	Web Browser		IE 6.0 and Above	
	Max. User Number		≤10	
General	CVBS/BNC		Support	
	Audio Input / Output		Support	
	Alarm Input / Output		Support	
	RS485		Support	
	TF Card		Support	
	Mobile Surveillance		Support	
	IP Grade		IP 66	
	Working Conditions		-20°C ~ 60°C; 10% to 90%, (Non-Condensing)	
	Power Supply		POE /DC12V /AC24V ±10%	
	Dimensions (mm)		150(Φ)x100(H)mm	
	Weight (with Package)		355g	

DIMENSIONS (Unit : mm)

For Financial, Prison, Supermarket, Telecom, Government, School, Airport, Factory, Hotel and Other Indoor Places.