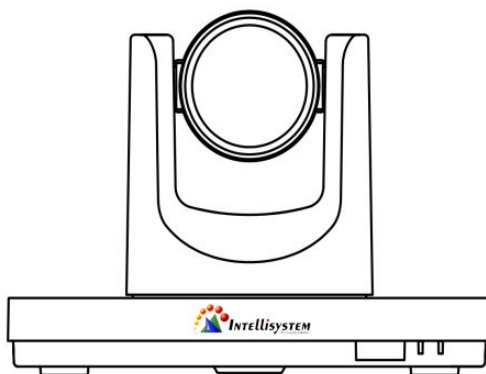


# IT-VCHD6100

## HD Video Conferencing Camera



### User Manual

**V1.8**

**(English)**

## Preface

Thanks for using this HD Video Conferencing Camera.

This manual introduces the function, installation and operation of the HD camera. Prior to installation and usage, please read the manual thoroughly.

## Precautions

This product can only be used in the specified conditions in order to avoid any damage to the camera:

- Don't subject the camera to rain or moisture.
- Don't remove the cover. Otherwise, you may get an electric shock. In case of abnormal operation, contact the authorized engineer.
- Never operating under unspecified temperature, humidity and power supply.
- Please use the soft dry cloth to clean the camera. If the camera is very dirty, clean it with diluted neuter detergent; do not use any type of solvents, which may damages the surface.

1

## Note

This is class A production. Electromagnetic radiation at the specific frequency may affect the image quality of TV in home environment

## Copyright Notice

All contents of this manual cannot be cloned, copied or translated without the permission of our company. Product specifications and information which were referred to in this document are for reference only, and the content will be updated at any time without prior notice

## Contents

Note.....	3
Supplied Accessories.....	4
Quick Start.....	4
Features.....	6
Product Specification.....	7
Main Unit.....	9
Size.....	10
IR Remote Controller Explanation.....	11
RS-232 Interface.....	13
VISCA Network Configuration.....	14
Serial Communication Control.....	15
Command List.....	15
Menu Setting.....	16
Network Function.....	21
Maintenance and Troubleshooting.....	29

## Note

- **Electric Safety**

Installation and operation must accord with electric safety standard.

- **Caution to transport**

Avoid stress, vibration and soakage in transport, storage and installation.

- **Polarity of power supply**

The power supply of the product is +12V, the max electrical current is 2A .Polarity of the power supply plug drawing as follows.

3



- **Careful of installation**

Do not grasp the camera head when carrying the camera. Don't turn camera head by hand. Doing so may result in mechanical damage.

Don't apply in corrosive liquid, gas or solid environment to avoid damaging the cover which is made up of plastic material.

To make sure no obstacle in rotation range.

Never power on before installation is not completed.

- **Don't dismantle the camera**

We are not responsible for any unauthorized modification or dismantling.

### CAUTION!

**The specific frequency of electromagnetic field may affect the image of the camera!**

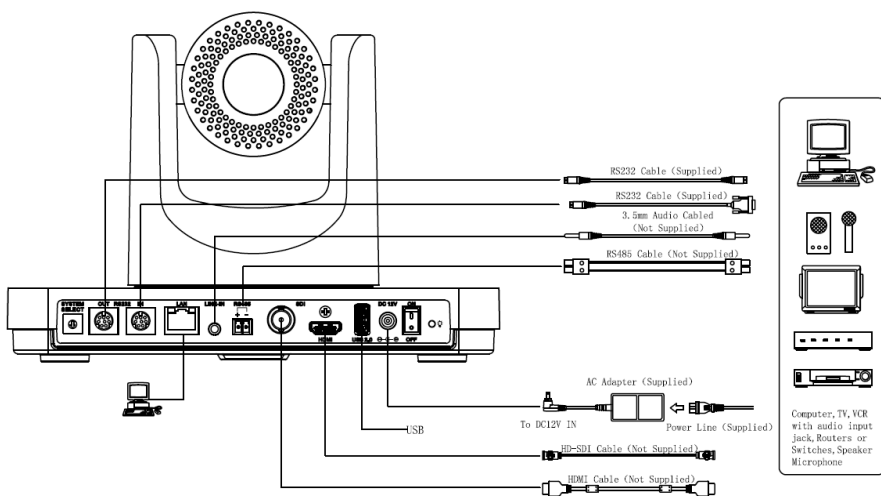
## Supplied Accessories

When you unpack, check that all the supplied accessories are included:

- Camera ..... 1PCS
- AC power adaptor..... 1PCS
- Power cord..... 1PCS
- RS232 cable..... 1PCS
- Remote controller ..... 1PCS
- User manual ..... 1PCS

## Quick Start

Step1. Please check connections are correct before starting



## Step2. Setting of the system select switch

The option of video format:

VIDEO SYSTEM			
0	1080p60	8	720p30
1	1080p50	9	720p25
2	1080i60	A	-
3	1080i50	B	-
4	720p60	C	-
5	720p50	D	576i
6	1080p30	E	480i
7	1080p25	F	-

### CAUTION:

- a. After changing the switch, you need to restart the camera to take effect.
- b. 720 p30 and 720 p25 only under the HDMI output.

Step3. Press the Switch ON/OFF button on the rear of the camera, the power lamp light.

Step4. After power on, Pan-Tilt will rotate to the upper right limit, then turn to the center position, the motor stop, the process of initialization is completed. (Note: If preset 0 be stored, Pan-Tilt puts to the preset 0)

## Features

- **72.5°Wide-angle Lens + 32x Digital Zoom**

Use 72.5°wide-angle high quality lens, support 12x optical zoom, and 32x digital zoom (optional).

- **H.265 Support**

The first H.265 encoding support conference video camera in the world, enabling full HD 1080p/60fps video stream by ultra-low bandwidth.

- **1080P Full HD**

Apply Panasonic's 1/2.7 inch, 2.07 million effective pixels high quality HD CMOS sensor, can reach maximum 1920 x 1080 high resolution and achieve quality image.

- **Ultra-high Frame Rate**

The output frame rate up to 60fps in 1080P, up to 120fps output in 720P (supported by S Model only), 640x480P can be as high as 240fps (supported by S Model only, optional).

- **Face Detection**

Built-in face detection module, enabling PTZ tracking (optional).

- **AAC Audio Encoding**

Support AAC audio encoding, better sound quality and smaller bandwidth.

- **Local Storage**

Support local storage module, directly recording to local USB flash disk without NVR.

- **Low-light**

High SNR of CMOS sensor combined with 2D and 3D noise reduction algorithm, effectively reduce the noise, even under low illumination conditions, picture can still keep clean and clear.

- **Remote Control**

Using RS232/485 interface, all the parameters of the camera can be remote controlled by the high-speed communications.

- **Abundant & Perfect interface**

Support HDMI output, 3G-SDI interface, effective transmission distance up to 100 meters

- **Freeze During Preset**

Support "Freeze during Preset" function, can masked image when calling the preset.

## Product Specification

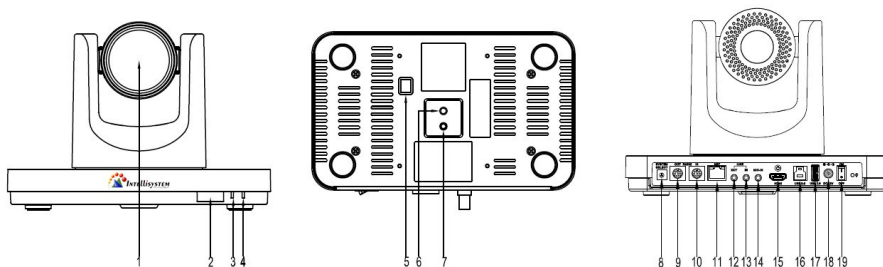
<b>Model</b>	<b>IT-VCHD6100</b>
<b>Name</b>	HD Video Conferencing Camera
<b>Camera</b>	
Video System	HD: 1080p/60, 1080p/50, 1080i/60, 1080i/50, 1080p/30, 1080p/25, 720p/120 (supported by S Model only), 720p/60, 720p/50, 720p/30, 720p/25, 640x480p/240 (supported by S Model only, optional)
Sensor	1/2.7 inch, CMOS, Effective Pixel: 2.07M
Scanning Mode	Progressive
Lens	12x, f3.5mm ~ 42.3mm, F1.8 ~ F2.8
Digital Zoom	16x (optional)
Minimal Illumination	0.05 Lux @ (F1.8, AGC ON)
Shutter	1/30s ~ 1/10000s
White Balance	Auto, Indoor, Outdoor, One Push, Manual
Backlight Compensation	Support
Digital Noise Reduction	2D&3D Digital Noise Reduction
Video S/N	≥55dB
Horizontal Angle of View	72.5° ~ 6.9°
Vertical Angle of View	44.8° ~ 3.9°
Horizontal Rotation Range	±170°
Vertical Rotation Range	-30° ~ +90°
Pan Speed Range	1.7° ~ 100°/s
Tilt Speed Range	1.7° ~ 69.9°/s
H & V flip	Support
Image Freeze	Support
Face Detection	Support (optional)
Local Storage	Support
Number of Preset	255
Preset Accuracy	0.1°



<b>IPC Features</b>	
Video coding standard	H.265/H.264/MJPEG
Video Stream	First stream, Second stream
First stream resolution	1920x1080,1280x720,1024x576,960x540,640x480,640x360
Second stream resolution	1280x720,1024x576,720x576,720x408,640x360,480x270,320x240,320x180
Video Bit Rate	128Kbps ~ 8192Kbps
Bit Rate Type	Variable rate, Fixed rate
Frame Rate	50Hz: 1fps ~ 50fps, 60Hz: 1fps ~ 60fps, 720p120: 120fps(supported by S Model only), 640x480p240: 240fps(supported by S Model only, optional)
Audio encode standard	AAC
Audio Bit Rate	96Kbps, 128Kbps, 256Kbps
Support protocols	TCP/IP, HTTP, RTSP, RTMP, Onvif, DHCP, Multicast, etc.
<b>Input/Output Interface</b>	
HD Output	1xHDMI: Version 1.3
	1x3G-SDI: BNC type, 800mVp-p, 75Ω, Along to SMPTE 424M standard
Network interface	1xRJ45: 10/100/1000M Adaptive Ethernet ports
Audio Interface	1-ch: 3.5mm Audio Interface, Line In
USB	1xUSB2.0: Type A female jack
Communication interface	1xRS-232 IN: 8pin Min DIN, Max Distance: 30m, Protocol: VISCA/Pelco-D/Pelco-P
	1xRS-232 OUT: 8pin Min DIN, Max Distance: 30m, Protocol: VISCA network use only
	1xRS-485: 2pin Phoenix Port, Max Distance: 1200m, Protocol: VISCA/Pelco-D/Pelco-P
Power jack	JEITA type (DC IN 12V)
<b>Generic Specification</b>	
Input Voltage	DC 12V
Current Consumption	1.0A (Max)
Operating Temperature	-10°C ~ 40°C (14°F ~ 104°F)
Storage Temperature	-40°C ~ 60°C (-40°F ~ 140°F)

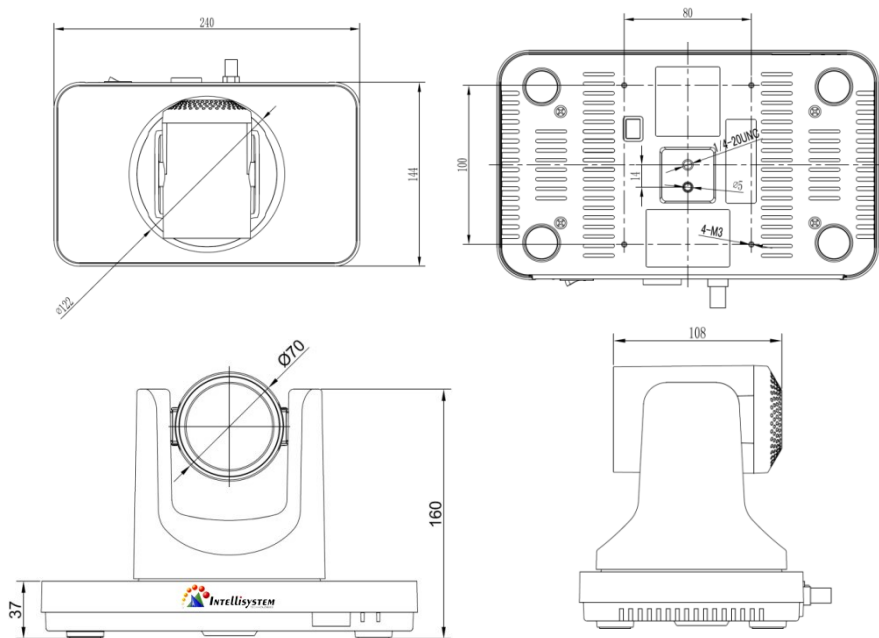
Power Consumption	12W (Max)
Dimensions	240mm x 144mm x 160mm
Net Weight	1.65Kg (3.6lb)

## Main Unit



- |                                    |                         |
|------------------------------------|-------------------------|
| 1. Lens                            | 11. RJ45 interface      |
| 2. Sensor for the Remote Commander | 12. Line in interface   |
| 3. Power lamp                      | 13. RS485 interface     |
| 4. Standby lamp                    | 14. SDI interface       |
| 5. Bottom switches                 | 15. HDMI interface      |
| 6. Tripod screw hole               | 16.USB2.0               |
| 7. Fixing scree whole              | 17. DC IN 12V interface |
| 8. System select switch            | 18. POWER switch        |
| 9. RS232 OUT interface             | 19. POWER lamp          |
| 10. RS232 IN interface             |                         |

## Size



## IR Remote Controller Explanation

### 1. Standby Button

Press this button to enter standby mode. Press it again to enter normal mode. (Note: Power consumption in standby mode is approximately half of the normal mode)

### 2. Position Buttons

To set preset or call preset

### 3. \*Button

Used with other buttons

### 4. Set/Preset Buttons

Set preset: Store a preset position  
 [SET PRESET] + Numeric button (0-9): Setting a corresponding numeric key preset position

### 5. Pan-Tilt control Buttons

Pressing the Pan-Tilt back to the middle position

### 6. Back buttons

Press the OSD menu return to the superior.

### 7. Zoom Buttons

Slow Zoom: Zoom In [+] or Zoom Out [-] slowly

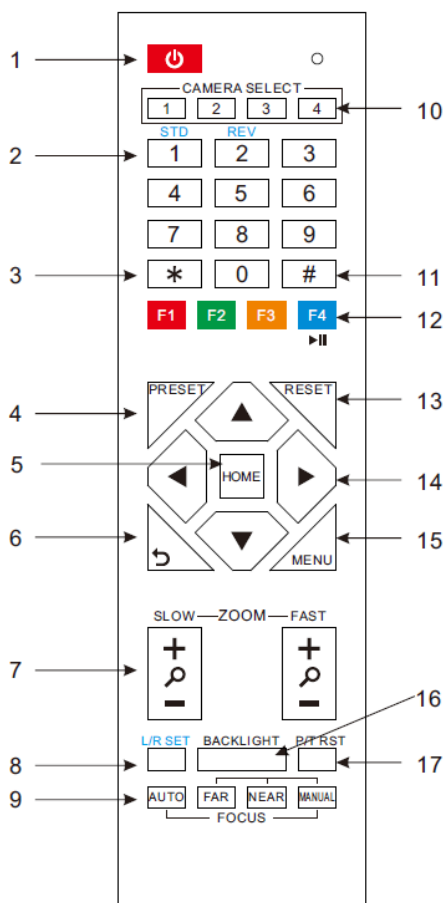
Fast Zoom: Zoom In [+] or Zoom Out [-] fast

### 8. Pan-Tilt L/R set

Press with 1 buttons and 2 buttons setting the direction of the Pan-Tilt

L/R Set +1[STD]: set the Pan-Tilt turn the same direction as the L/R Set

L/R Set +2[REV]: set the Pan-Tilt turn the opposite direction as the L/R Set



## 9. Focus Buttons

Used for focus adjustment.

Press [AUTO] adjust the focuses on the center of the object automatically. To adjust the focus manually. Press [MANUAL] adjust the focus on the center of the object manual  
MANUAL button, and adjust it with [Far] (Focus on far object) and [NEAR] (Focus on near object)

## 10. Camera Select Buttons

Press the button corresponding to the camera you want to operate with the remote controller.

## 11. # Button

Used with other buttons

## 12. Set Camera IR Address Buttons

[\*]+[#]+[F1]: Address1

[\*]+[#]+[F2]: Address2

[\*]+[#]+[F3]: Address3

[\*]+[#]+[F4]: Address4

## 13. Clear Preset Buttons

**Clear preset:** Erase a preset position

[CLEAR PRESET] + Numeric button (0-9)

Or: [\*]+[#]+[CLEAR PRESET]: Erase all the preset individually

## 14. Pan/Tilt Control Buttons

Press arrow buttons to perform panning and tilting. Press [HOME] button to face the camera back to front

## 15. MENU

MENU: enter or exit OSD MENU

## 16. BLC (Backlight Compensation) Button

**BLC ON/OFF:** Press this button to enable the

backlight compensation. Press it again to disable the backlight compensation.(NOTE: Effective only in auto exposure mode)

Note: If a light behind the subject, the subject will become dark. In this case, press the backlight ON / OFF button. To cancel this function, press the backlight ON / OFF button.

## 17. Pan/Tilt reset

Preset Pan/Tilt self-test.

## 18. Image freezing function

**Manually freeze:** Open the freezing function after press the remote control [F4], display "Freeze" on the left upper corner character, after 5 seconds display disappear automatically. If you want to cancel the freeze, press [F4] key and then can return to normal, display "Unfreeze" on the left upper corner, after 5 seconds display disappear automatically.

**Recalling the Preset image, Freeze:** By the OSD Menu Setting "Recalling the Preset image Freeze" function. After the function is opened, the screen will stay in before Recalling the Preset when Recalling the Preset, the screen can be switched to the present position screen until the camera points to the present position.

## 19. Shortcut Set

[\*]+[#]+[1]: OSD menu default English

[\*]+[#]+[3]: OSD menu default Chinese

[\*]+[#]+[4]: Default IP address

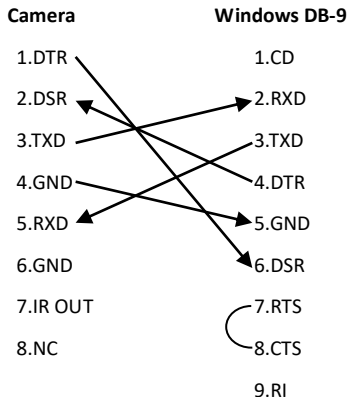
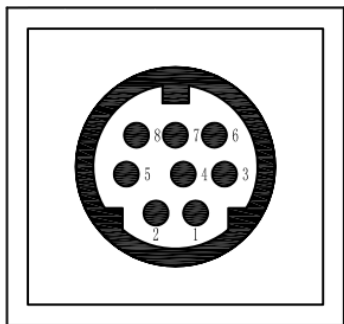
[\*]+[#]+[5]: Save OSD

[\*]+[#]+[6]: Quickly recover the default

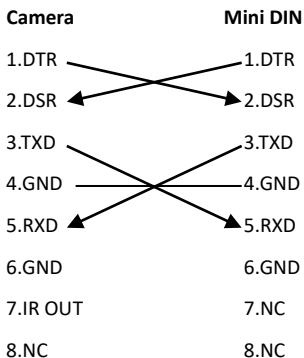
[\*]+[# ]+[8]: Look the camera version

[\*]+[# ]+[9]: Quickly set up inversion

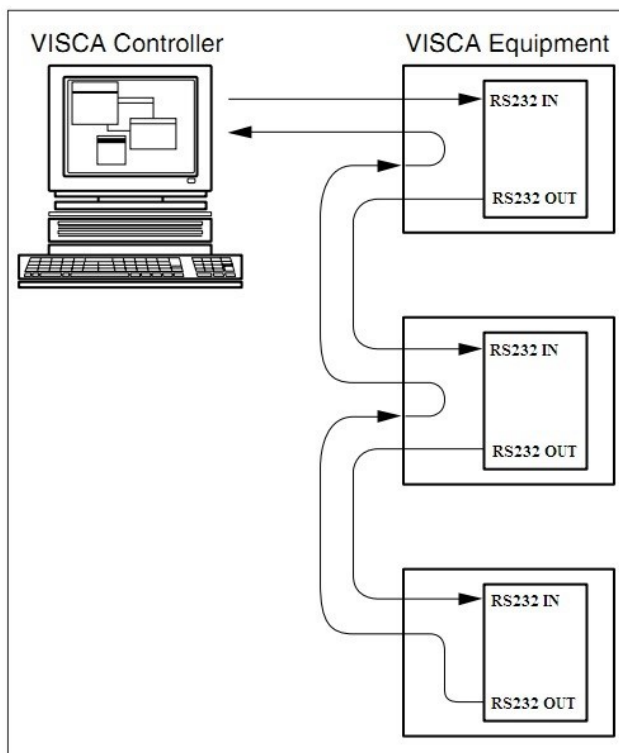
## RS-232 Interface



No.	Function
1	DTR
2	DSR
3	TXD
4	GND
5	RXD
6	GND
7	IR OUT
8	NC



## VISCA Network Configuration



## Serial Communication Control

In default working mode, the camera is able to connect to a VISCA controller with RS232C serial interface.

➤ **RS232 Communication Control:**

The camera can be controlled via RS232, the parameters of RS232C are as follows:

Baud rate: 2400/4800/9600 bit/s.

Start bit: 1 bit.

Data bit: 8 bits.

Stop bit: 1bit.

Parity bit: none.

➤ **RS485 Communication Control:**

The camera can be controlled via RS485, Half-duplex mode:

Baud rate: 2400/4800/9600 bit/s.

Start bit: 1 bit.

Data bit: 8 bits.

Stop bit: 1bit.

Parity bit: none.

Pan-Tilt will rotate to the maximum position of top right after the camera started, then it return to the center, the process of initialization is finished. (Note: If the position preset 0 has been stored, the position preset 0 will be called up after initialization) Then the users can control the camera with commands in the command list.

## Command List

Ignore

Note:

The camera serial standard VISCA/Pelco-D/Pelco-P, if the need for the secondary development, According to standard protocol to control the camera. If you need VISCA/Pelco - D/Pelco - P protocol command list in detail, please contact the manufacturer.



## Menu Setting

### 1. MENU

Press [MENU] button to display the main menu on the normal screen, using arrow button to move the cursor to the item to be set. Press the [HOME] button to enter the corresponding sub-menu.

MENU	
▶ Exposure	
Color	
Image	
P/T/Z	
Noise Reduction	
Setup	
Communication Setup	
Restore Default	
[Home] Enter	
[Menu] Exit	

### 2. EXPOSURE

Move the cursor to the Exposure item in the main menu and press [home] button, EXPOSURE menu appears, as shown in the following figure.

EXPOSURE	
▶ Mode	Auto
ExpCompMode	Off
Backlight	Off
Gain Limit	3
Anti-Flicker	50Hz
Meter	Average
DRC	4
▲▼ Select Item	
◀▶ Change Value	
[Menu] Back	

**Mode:** Exposure mode. Optional items: Auto, Manual, SAE, AAE, Bright

**ExpCompMode:** Exposure compensation mode, **Optional items:** On, Off (Effective only in Automode)

**ExpComp:** Exposure compensation value, **Optional items:** -7 ~ 7 (Effective only in ExpCompMode item to on)

**Gain Limit:** Maximum gain limit. **Optional Items:** 0 ~ 15 (Effective only in Auto, AAE, Bright mode)

**Backlight:** Set the backlight compensation, **Optional items:** On, Off (Effective only in Auto mode)

**DRC:** DRC strength, **Optional items:** 0 ~ 8.

**Bright:** Intensity control, **Optional items:** 00~17. (Effective only in Bright mode)

**Anti-Flicker Flicker:** Anti-flicker. Optional

Items: Off, 50Hz, 60Hz (Effective only in Auto,

Bright mode)

**Iris:** Aperture value. Optional items: F1.8,

F2.0,F2.4,F2.8,F3.4,F4.0,F4.8,F5.6,F6.8,F8.0,F9.6,F

11.0,Close (Effective only in Manual, AAE mode)

**Shut:** Shutter value. Optional items: 1/30, 1/60,

1/90, 1/100, 1/125, 1/180, 1/250, 1/350, 1/500, 1/725,

1/1000, 1 /1500, 1/2000, 1/3000, 1/4000, 1/6000,

1/10000 (Effective only in Manual, SAE mode)

**Meter:** Optional items: Average, Center, Bottom,

Top.

### 3. COLOR

Move the cursor to the Color item in the main menu and press [home] button, COLOR menu appears, as shown in the following figure.

COLOR	
▶ WB Mode	Auto
RG Tuning	+2
BG Tuning	0
Saturation	100%
Hue	7
AWB sens	Low
▲▼ Select Item	
◀▶ Change Value	
[Menu] Back	

**WB-Mode:** White balance mode. Optional

**Items:** Auto, Indoor, Outdoor, One Push, Manual

**RG:** Red gain. Optional items: 0~255 (Effective only in Manual mode)

**BG:** Blue gain. Optional items: 0~255 (Effective only in Manual mode)

**RG Tuning:** Red gain fine-tuning, Optional items: -10 ~ +10 (Effective only in AWB sense is Low)

**BG Tuning:** Blue gain fine-tuning, Optional items: -10 ~ +10 (Effective only in AWB sense is Low)

**Sat.:** Saturation. Optional items: 60% ~ 200%.

**Hue:** Chroma adjustment, Optional items:0 ~ 14

**AWB sense:** The white balance sensitivity,

**Optional items:** Normal, High, Low.

### 4. IMAGE

Move the cursor to the Image item in the main menu and press [home] button, IMAGE menu appears, as shown in the following figure.

### IMAGE

▶ Luminance	7
Contrast	7
Sharpness	2
Flip-H	Off
Flip-V	Off
B&W-Mode	Off
Gamma	Default
Style	Bright

▲▼ Select Item

◀▶ Change Value

[Menu] Back

**Luminance:** Brightness adjustment. Optional

**Items:** 0 ~ 14

**Contrast:** Contrast adjustment. Optional **items:** 0 ~ 14

**Sharpness:** Sharpness adjustment. Optional

**Items:** Auto, 0 ~ 15

**Flip-H:** Image flipped horizontally. Optional

**Items:** On, Off.

**Flip-V:** Image Flip Vertical. Optional **items:**

On, Off

**B&W-Mode:** Image color. Optional **items:** On, Off

**Gamma:** Optional **items:** Default, 0.45, 0.5,

0.56, 0.63

**Style:** Optional **items:** Norm, Clarity, Bright, Soft,

SS.

### 5.P/T/Z

#### P/T/Z

▶ SpeedByZoom	On
AF-Zone	Center
AF-Sense	High
L/R Set	STD
Display Info	On
Image Freeze	Off

▲▼ Select Item

◀▶ Change Value

[Menu] Back

**SpeedByZoom:** The depth of field scale switch,

**Optional items:** On, Off

**AF-Zone:** Interested in focusing area, Optional **items:** Top, Center, Bottom

**AF-Sense:** Automatic focusing sensitivity options, Optional **items:** Low, Normal, High

**L/R Set:** Optional **items:** STD, REV

**Image Freeze:** Optional **items:** On, Off

**Fast Zoom:** Optional **items:** On, Off

**Display Info:** Optional **items:** On, Off

### 6. NOISE REDUCTION

Move the cursor to the Noise Reduction item in the main menu and press [home] button, NOISE REDUCTION menu appears, as shown in the following figure.

NOISE REDUCTION	
▶ NR2D-Level	3
NR3D-Level	3
D-HotPixel	Off
▲▼ Select Item ◀▶ Change Value [Menu] Back	

SETUP	
▶ Language	EN
DVI Mode	DVI
Lens	Type2
▲▼ Select Item ◀▶ Change Value [Menu] Back	

**NR2D-Level:** 2D noise reduction. Optional

**Items:** Off, Auto, 1 ~ 5

**NR3D-Level:** 3D noise reduction. Optional items:  
Off, 1 ~ 8

**D-HotPixel:** Dynamic bad points, Optional items:  
Off, 1 ~ 5

## 7. SETUP

Move the cursor to the Setup item in the main menu and press [home] button, SETUP menu appears, as shown in the following figure.

**Language:** menu language, Optional items: EN, Chinese, and Russian

**DVI Mode:** Optional items: DVI, HDMI

**Lens:** lens type. Optional items: Type1, Type2

## 8. COMMUNICATION SETUP

Move the cursor to the Communication Setup item in the main menu and press [home] button, SETUP menu appears, as shown in the following figure.

### COMMUNICATION SETUP

▶ Protocol	VISCA
V_Address	1
V_AddrFix	Off
Net Mode	Serial
Baudrate	9600

▲▼ Select Item

◀▶ Change Value

[Menu] Back

**Protocol:** Control protocol type. Optional items:

AUTO, VISCA, PELCO-D, PELCO-P

**V\_Address:** Protocol address, to be decided according to the agreement, AUTO, VISCA

protocol Optional items: 1 ~ 7

**P\_D\_Address:** PELCO-D protocol Optional

Items: 0 ~ 254

**P\_P\_Address:** PELCO-P protocol Optional

Items: 0 ~ 31

**V\_AddrFix:** If I can change through the serial

port of infrared switch, Optional items: On, Off

( When set to On, useless in 88 30 01 FF

Command )

**Net Mode:** Set the serial port control

networking, Optional items: Serial, Paral

**Baudrate:** Serial port baud rate. Optional items:

2400, 4800, 9600

### 9. RESTORE DEFAULT

Move the cursor to the Restore Default item in the main menu and press [home] button, RESTORE DEFAULT menu appears, as shown in the following figure.

#### RESTORE DEFAULT

▶Restore? No

◀▶Change Value

[Home] OK

[Menu] Back

**Restore:** Confirm restore factory settings.

**Optional items:** Yes, No

**Note:** Press [HOME] button to confirm, All parameter restore default, Include IR Remote address and VISICA Address

**Save:** Save Options. Optional items: Yes, No

## Network Function

### 1 Operating Environment

**Operating System:** Windows 2000/2003/XP/  
Vista/7/8/10

**Network Protocol:** TCP/IP

**Client PC:** P4/128MRAM/40GHD/ support scaled graphics card, support DirectX8.0 or more advanced version.

### 2 Equipment Installation

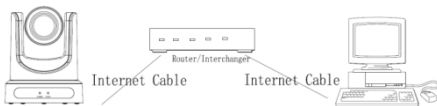
- 1) Connect internet camera to your internet or to your PC directly via internet cable.
- 2) Turn on DC12V power.
- 3) The orange light of internet port lit on, green light flashing, and the physical connection finished.

### 3 Internet Connection

Connection ways between internet camera and computer, as picture 1.1 and picture 1.2 shown:



Picture 1.1 connect by internet cable



Picture 1.2 Connect by router /interchanger

### 4 IP camera visited/ controlled by LAN

#### 4.1 Setup IP address

IP camera default IP address"192.168.100.88", Unknown camera IP, view as below:

**Method 1:** press \* and # and 4 on remote controller one by one, the camera IP address will be shown on screen.

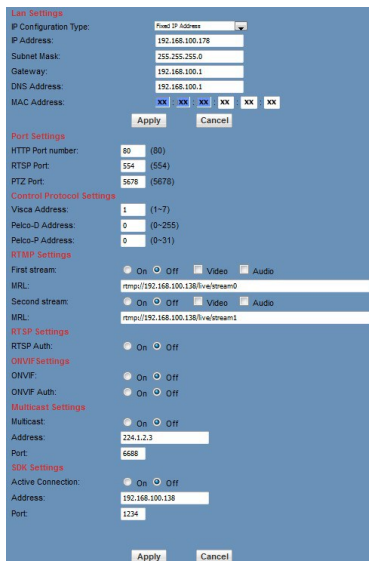
**Method 2:** connect camera to PC with ethernet cable, use "upgrade\_En.exe" to search for IP address



21

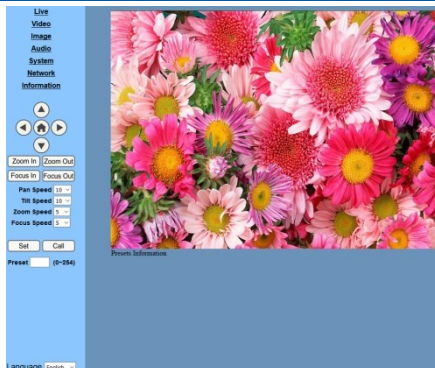
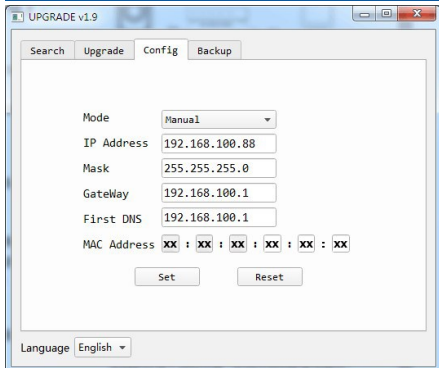
Change IP address,2 methods as below:

**Method 1:** On web control page, find "Network"---->Change IP---->Click "Apply"----->Restart camera



The screenshot shows the 'LAN Settings' page of a camera's web control interface. It includes sections for IP Configuration Type (Fixed IP Address), Port Settings (HTTP, RTSP, PTZ), Control Protocol Settings (Video, Pelco-D, Pelco-P), RTSP Settings (First and Second streams), RTSP Settings (Auth), ONVIF Settings (Auth), Multicast Settings (Address, Port), and SDK Settings (Active Connection, Address, Port). Each setting has a corresponding input field or radio button.

**Method 2:** Open "upgrade\_En.exe", change IP and click "Set". After modified, IP Camera be restart.



**NOTE!**

IP camera default IP address "192.168.100.88", user "admin", password "admin".

#### 4.2 Visit/Access IP Camera

Input <http://192.168.100.88> to IE (better with IE web browser, others will cause little latency), a login window pop up, input login name: admin, password: admin, shown as below:



After login, shown as below:



**NOTE!**

If user first time use this camera by internet (only for new user), must install a player software (VLC).

Please go to VLC website

<http://www.videolan.org/vlc/download> and Install VLC (player software). After installation, login again, will show as above:

#### 5 IP Camera accessed/controlled by WAN (internet)

##### 5.1 Setup IPC accessed/controlled by dynamic

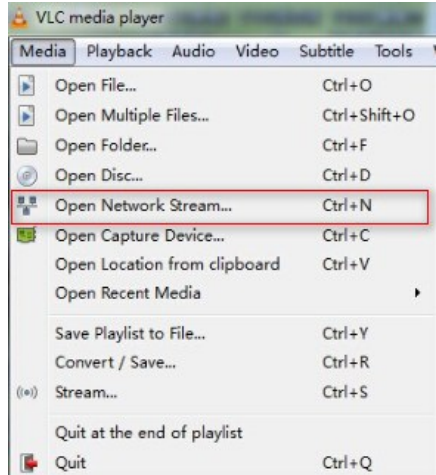
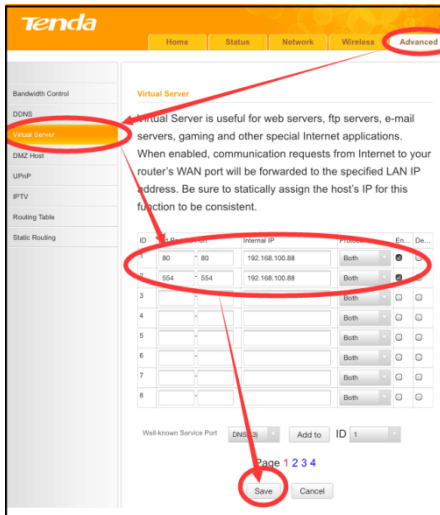
##### 5.2 DNS

##### 2 dynamic DNS available:

Dyndns.org, 3322.org

##### Router Port Mapping:

Take Tend router for example, enter Router Home Page (interface page), select "Advanced" - "Virtual Server", add a new port number in "Ext Port", add a new port number in "Into port", put camera IP address to "Internal IP", then select "Save", shown as below:



Input URL address:

rtsp://ip: port number/1 (First stream);

rtsp://ip: port number/2 (Second stream).



NOTE!

RTSP port number default 554.

### 5.3 Dynamic DNS visit camera

Set domain name to camera, setup the parameter,

then dynamic DNS can access camera. Access link:

<http://hostName: port number> For example,

setup host computer name: youdomain.f3322.org,

camera port number: 554, Access link should be:

<http://youdomain.3322.org:554>.



NOTE!

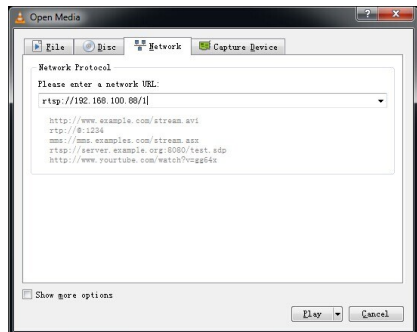
If camera port default as 80, then unnecessary to input port number, use host name can access camera directly.

### 5.4 VLC stream media player monitoring

#### Visit VLC media server procedure

Open VLC media player, click "Media"->

"Open Network Steam", or click "Ctrl+N"; as below:



### 6 IP Camera parameter setup

#### 6.1 Homepage introduction

Menu

All pages include 2 menu bars:

Real time monitoring: displaying video image



parameter setup: with function buttons

### A. Video viewing window

Video viewing window must be same as video resolution, the bigger the resolution is, the bigger the playing area is. Double click viewing window, will show full-screen, double click, will return to initialized size.

Status bar in viewing window shown as below

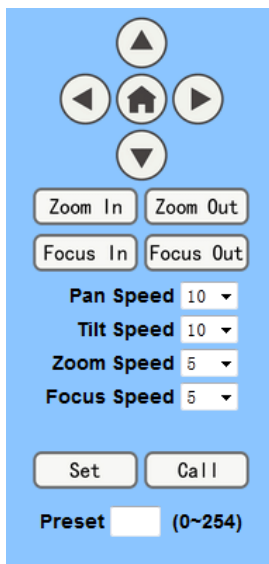


1) Video playback pause button: control real-time video pause, stop the last picture, click recoverable video again.

2) Audio control buttons: can set silent mode.

3) Full screen switch button.

### B. PTZ Setup



1) PTZ direction control box: Up, down, left, right, home oblique button as above

2) Rate: Vertical speed can be chosen as 1 ~ 24, horizontal direction at the rate of 1 ~ 20.

3) select corresponding speed and click direction button to realize PTZ speed up or speed down.

4) Zoom In/Zoom out: for zooming in or zooming out, Focus In/ Focus Out: Focusing on distant objects or Focusing on close objects.

5) Set/Call: When PTZ turn to expected position, can set up preset that user want as below.

Method 1: Type a number into the Preset box.



Method 2: Type name into the Preset information.

Presets Information		
No.	Name	
1	<input type="text"/>	Set
2	<input type="text"/>	Set
3	<input type="text"/>	Set
4	<input type="text"/>	Set
5	<input type="text"/>	Set
6	<input type="text"/>	Set
7	<input type="text"/>	Set
8	<input type="text"/>	Set
9	<input type="text"/>	Set

Then click "Set" button, when PTZ turn to other position, click "Call" button or click "No." of the Presets Information, PTZ turn back to preset position.

### C. Language selection

Language English ▾

Chinese/English/Russian

### 6.2 Media

Video Setup, please click "Video"

**Video Settings**

Video Format: Dial Priority ▾

Encode Level: mainprofile ▾

**First stream**

Encode Protocol: H264 ▾

Resolution: 1920x1080 ▾

Bit Rate: 4096 (32~20480) kbps

Frame Rate: 30 fps

I Key Frame Interval: 30 (2~150)

Bit Rate Control:  CBR  VBR

Fluctuate Level: 1 ▾

**Second stream**

Encode Protocol: H264 ▾

Resolution: 320x240 ▾

Bit Rate: 1024 (32~6144) kbps

Frame Rate: 30 fps

I Key Frame Interval: 30 (2~150)

Bit Rate Control:  CBR  VBR

Fluctuate Level: 1 ▾

#### 1) Video format

Support 50HZ (PAL) and 60HZ (NTSC), and Dial priority three formats.

#### 2) Encode Level

Support baseline, mainprofile, highprofile Three formats

#### 3) Encode Protocol

Support H.264, H.265 and MJPEG 3 formats.

#### 4) Resolution

First bit flow support 1920x1080, 1280x720, 1024x576,960x540,640x480,640x360, Second bit flow support 1280x720,1024x576,720x576, 720x408, 640x360, 480x270, 320x240, 320x180, the bigger resolution is, the clearer the image will be, more network bandwidth will be taken.

#### 5) Bit Rate

User can assign bit flow/stream, normally speaking, the bigger bit flow is, the clearer the image will be. The bit allocation must combine with network bandwidth, when the network bandwidth is too narrow and the allocated bit flow is too big, will cause video signal flow not to be transmitted normally, the video effect will be worse.

#### 6) Frame rate

User can specify the size of the frame rate, generally, the frame rate greater, the image smoother; Frame rate is smaller, the more sense of beating.

#### 7) I key frame interval:

Set interval between 2 I frame, the bigger interval is, the response will be lower from viewing window.

#### 8) Bit Rate control

Code stream control way:

Constant bit rate: video coder will be coding according to preset speed

Variable bit rate: video coder will adjust the speed based on preset speed to gain the best image quality.

## 9) Fluctuate level

Restrain the fluctuation magnitude of variable rate, grade 1 ~ 6

### 6.3 Image Setup, please click "Image"



Brightness:  7

Saturation:  4

Contrast:  7

Sharpness:  2

Hue:  7

Flip  Mirror

Apply Cancel Default

#### 1) Brightness

Image bright 0~14, slider control, on the right shows the corresponding numerical. Default 7.

#### 2) Saturation

Saturation 0~14, slider control, on the right shows the corresponding numerical. Default 4.

#### 3) Contrast

Contrast 0~14, slider control, on the right shows the corresponding numerical. Default 7.

#### 4) Sharpness

Sharpness 0~15, slider control, on the right shows the corresponding numerical. Default 2.

#### 5) Hue

Hue 0~14, slider control, on the right shows the corresponding numerical. Default 7.

#### 6) Flip & Mirror

Tick Flip to realize image upside down, tick mirror to realize image around the mirror. Default not tick.

#### 7) Button

Adjusting the parameters, press "apply" button to save, press "cancel" button to cancel the adjustment of the parameters, press "default" button obtain the default value.

### 6.4 Audio Setup, please click "Audio"

**Audio Settings**

Audio Type: AAC ▾

Sample Rate: 48K ▾

Bit Rate: 96K ▾

Input Type: Line in ▾

Input Vol L : 8 (-97~30) db

Input Vol R : 8 (-97~30) db

ADTS Options: Off ▾

Apply Cancel

#### 1) Audio Type

Audio type AAC

#### 2) Sample rate

Sample rate 44.1 K and 48 K, selectable.

#### 3) Bit rate

Bit rate 96k, 128k, 256k, selectable

#### 4) Input Type

line in only

#### 5) Input VolL

The volume of the left channel

#### 6) Input VolR

The volume of the right channel

#### 7) ADTS Options

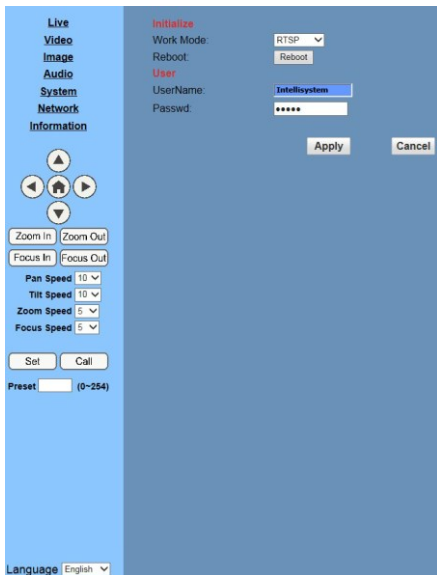
Optional items: On, Off

## 8) Button

Press "apply" button to save parameters, press

"cancel" button to cancel parameter

### 6.5 System Setting, please click "System"



#### 1) Work Mode

Work Mode RTSP

#### 2) Reboot

Click the "Reboot" button, system restart.

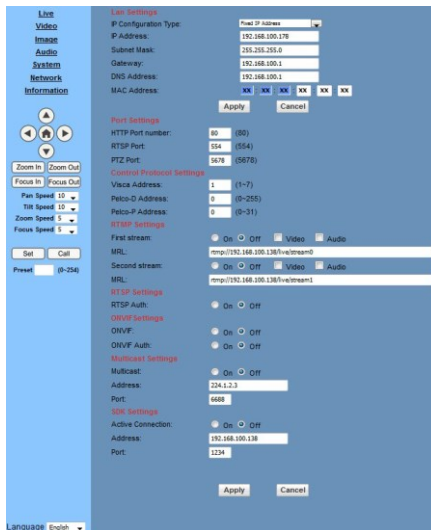
#### 3) User and password

The user can modify the password (letters and Numbers only)

#### 4) Apply / Cancel

Modify password and click the "apply" button to the login page, press "cancel" button to cancel password change.

### 6.6 Network Setting, please click "Network"



#### 1) Lan Settings

Default the IP address is 192.168.100.88, The MAC address can be modified.

#### 2) Port Settings

A. HTTP Port

IP address identifies the network device, the device can run multiple web applications, each network program using network port to transmit data, so data transmission to be carried out between the port and port. Port setting is to set up WEB SERVER program using which port to transmit. When port mapping, need to be consistent with the port number (default port: 80)

B. RTSP Port

Network camera support RTSP protocol, use the VLC tools broadcast.

C. PTZ Port

Support PTZ protocol, default port: 5678.

#### 3) Control Protocol Setting

Setting camera control communication protocol, contact the manufacturer.

include Visca address, Pelco-D address, Pelco-P address.

#### 4) RTMP Setting

Setting the camera stream, can set up two stream, in the two stream selection control code stream of "On", "Off", "Video", "Audio", etc.

#### 5) RTSP Setting

Setting network camera rtsp protocol of "On", "Off".

#### 6) ONVIF Setting

Setting the ONVIF protocol and ONVIF authorization "On", "Off".

#### 7) Multicast Setting

Setting multicast "On", "Off", and multicast address (default address 224.1.2.3) and port (default 6688)

#### 8) Apply / Cancel

Modify network parameters then press "Apply" button to modify network parameters, press "Cancel" button to cancel network parameters.

### 6.7 Device Information, please click

#### "Information"

Show the current device information, as shown below.

Information	
Device ID:	HD Camera
Software Version:	SOC v7.1.99 - ARM v6.2.35S
Device Type:	F4.V
Webware Version:	v1.4.2
<input type="button" value="Apply"/> <input type="button" value="Cancel"/>	

### 7 Download the Network upgrade program

If you need the camera upgrade program, please

## Maintenance and Troubleshooting

### Camera Maintains

- If camera will not be used for a long time, please turn off the power switch, disconnect AC power cord of AC adaptor to the outlet.
- Use soft cloth or tissue to clean the camera cover.
- Please use the soft dry cloth to clean the lens. If the camera is very dirty, clean it with diluted neutral detergent. Do not use any type of solvents, which may damages the surface.

### Unqualified Application

- No shooting extreme bright object for a long period of time, such as sunlight, light sources, etc.
- No operating in unstable lighting conditions, otherwise image will be flickering.
- No operating close to powerful electromagnetic radiation, such as TV or radio transmitters, etc.

### Troubleshooting

#### Image

- No image
  1. Check whether the power cord is connected, voltage is OK, POWER lamp is light.
  2. Check whether the camera can self-test after startup.
  3. Check the BOTTOM switch and make sure the two switches are both set OFF.
  4. Check video cable is connected correctly.
- Abnormal display of image

Check video cable is connected correctly.
- Image dithering even at widest zoom position
  1. Check whether camera is fixed correctly.
  2. Make sure, if there are something like vibration machine or other things nearby.
- IE browser not video image IE

When IPC first time accessed by Internet Explorer (IE or other web browser), must install plug-in. User first time use this camera by internet (only for new user), must install a player software (VLC). Please go to VLC website <http://www.videolan.org/vlc/download> and Install VLC (player software). After installation, login again, will show image, the video image is displayed.

- Unable to access IP Camera by IE browser.

1. Access to the network with PC can test whether network works, in this way to get rid of cable failure, network failure caused by PC virus until the PC can be Ping.
  2. Disconnect IP Camera with network, IP Camera and PC are connected, according to the proper operations to re-set the IP address.
  3. Check the server's IP address and subnet mask and gateway address.
  4. MAC addresses conflict.
  5. Web port is occupied by other devices.
- When modify IP address in an incorrect way cause the wrong IP address or forget web passwords, press the IR remote controller "[\*]+[#]+[Manual]" to restore the default value (Default IP: 192.168.100.88 Default username: admin Default password: admin)

### Control

- IR remote controller cannot control the camera
  1. Change the battery
  2. Check the camera-working mode.
  3. Check IR address of the Remote Commander is set correctly.
- Serial communication cannot control the camera
  1. Check the camera-working mode.
  2. Check control cable is connected correctly.