

IT-FHDCC59 Series HD Video Conference Camera

Full HD, Wide View Angle, Multiple Video Interfaces. Multiple protocols

IT-FHDCC59 series camera offers perfect functions, superior performance and rich interfaces. The features include advanced ISP processing algorithms to provide vivid images with a strong sense of depth, high resolution, and fantastic color rendition. It supports H.264/H.265 encoding which makes motion video fluent and clear even under less than ideal bandwidth conditions.

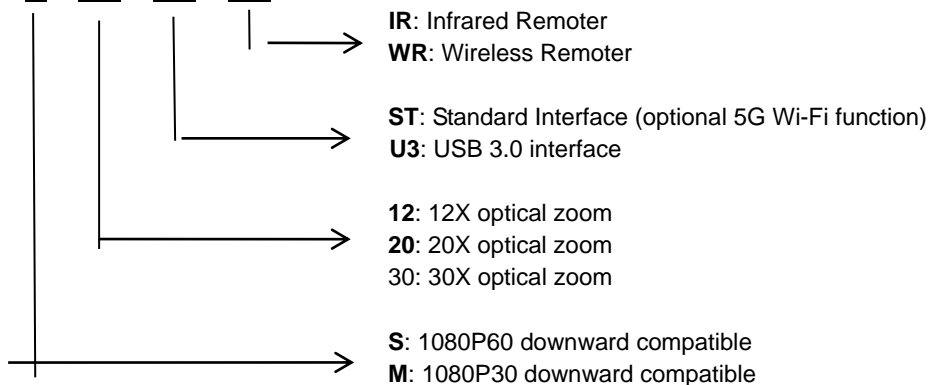


Features

- Superb High-definition Image**
IT-FHDCC59 employs 1/2.8 inch high quality CMOS sensor. Resolution is up to 1920x1080 with frame rate up to 60fps.
- Various Optical Zoom Lens**
IT-FHDCC59 has 12X/20X/30X optical zoom lens for options. 12x zoom lens is with 72.5 ° wide view angle without distortion.
- Leading Auto Focus Technology**
 Leading auto focus algorithm makes lens a fast, accurate and stable auto-focusing.
- Low Noise and High SNR**
 Low Noise CMOS effectively ensure high SNR of camera video. Advanced 2D/3D noise reduction technology is also used to further reduce the noise, while ensuring image sharpness.
- Audio Input Interface (for future development)**
 Support 16000,32000,44100,48000 sampling frequency and AAC, MP3, PCM audio coding.
- Wide-range, Quiet and Quick Pan/Tilt Mechanism**
 By adopting step driving motor mechanism, **IT-FHDCC59** camera works extremely quiet and moves smoothly.
- Multiple Audio/Video compression**
 Support H.264/H.265 video compressional, MP3 and PCM audio compression; Support compression of resolution up to 1920x1080 with frame up to 60fps and 2 channel 1920x1080p with 30fps compression.
- Multiple Network Protocol**
 Support ONVIF, RTSP, RTMP protocols and support RTMP push mode, easy to link streaming media server (Wowza, FMS)
- Wide Application**
 Tele-education, lecture capture, Webcasting, Videoconferencing, Tele-training, Tele-medicine, Interrogation and Emergency command systems.
- Low-power sleep function**
 Support low-power sleep/wake up, the consumption is lower than 400mW under sleep mode.

Order Series

IT-FHDCC59X—XX—XX—XX



Specification

Model	IT-FHDCC59-12	IT-FHDCC59-20	IT-FHDCC59-30
Optical Zoom	12X f=3.9~46.1mm	20X f=5.57~110mm	30X f=4.3~129mm
Sensor	1/2.8 inch high quality HD CMOS sensor		
Effective Pixels	16: 9 2.07 megapixel		
Video Format	DVI (HDMI) /SDI video format 1080P60/50/30/25/59.94/29.97;1080i60/50/59.94;720P60/50/30/25/59.94/29.97 Interface video format (U3) 1) U3: 1920X1080 P60/50/30/25;1280X720P 60/50/30/25;960X540 P30;640X360 P30;640X480 P30;352X288 P30;960X540 P30 2) U3 compatible with U2:960X540 P30; 640X360 P30; 1280X720 P10/15; 720X576 P50; 720X480 P60; 640X480 P30; 352X288 P30.		
View Angle	6.3°(tele)--72.5°(wide)	3.3°(tele)--54.7°(wide)	2.34°(tele)--65.1°(wide)
AV	F1.8 ~ F2.4	F1.6 ~ F3.5	F1.6 ~ F4.7
Digital Zoom	10X		
Minimum Illumination	0.5Lux (F1.8, AGC ON)		
DNR	2D & 3D DNR		
White Balance	Auto / Manual/ One Push/ 3000K/ 4000K/5000K/6500K		
Focus	Auto/Manual		
Aperture	Auto/Manual		
Electronic Shutter	Auto/Manual		
BLC	ON/OFF		
WDR	OFF/ Dynamic level adjustment		
Video Adjustment	Brightness, Color, Saturation, Contrast, Sharpness, B/W mode, Gamma curve		
SNR	>55dB		
Input / Output Interface			
Video Interfaces	IT-FHDCC59-12/20/30-ST Model: 3G-SDI,DVI (HDMI),LAN,RS232(IN/OUT),RS485,A-IN IT-FHDCC59-12/20/30-U3 Model: USB3.0,DVI (HDMI), LAN,RS232(IN)		
Image Code Stream	Dual stream output		
Video Compression Format	H.264, H.265		
Control Signal Interface	RS-232 Ring through RS232 output		
Control Protocol	VISCA/PELCO-D/PELCO-P; Baud Rate: 115200/9600/4800/2400bps		
Audio Input Interface	Double track 3.5mm linear input;		
Audio Compression Format	AAC/MP3/PCM Audio compression		
HD IP Interface	100M IP port(100BASE-TX); 5G Wi-Fi (optional), Support Visca protocol control through IP port.		
Network Protocol	RTSP/RTMP,ONVIF,GB/T28181		
Power Interface	HEC3800 outlet (DC12V)		
PTZ Parameter			
Pan Rotation	±170°		
Tilt Rotation	-30°~+90°		
Pan Control Speed	0.1 -100°/sec		
Tilt Control Speed	0.1-45°/sec		
Preset Speed	Pan: 100°/sec, Tilt: 45°/sec		
Preset Number	255 presets (10 presets by remote controller)		
Other Parameter			
Supply Adapter	AC110V-AC220V to DC12V/1.5A		
Input Voltage	DC12V±10%		
Input Current	1A (Max)		
Consumption	12W (Max)		
Store Temperature	-10°C~+50°C		
Store Humidity	20% - 95%		
Working Temperature	-10°C~+50°C		
Working Humidity	20%--80%		
Dimension	258mm X 172mm X 168mm		
Weight	1.54KG		
Remote Operation (IP)	Remote Upgrade, Reboot and Reset		
Accessory	Power supply, RS232 control cable, remoter, manual, warranty card, bracket (optional)		

Dimensions:

