

IT-FHDCC32 Series HD video conference Camera

The small and exquisite IT-FHDCC32 series camera is matched with 3X inbuilt ultra wide-angle auto focus lens and offers perfect functions, superior performance and rich interfaces. The features include advanced ISP processing algorithms to provide vivid images with a strong sense of depth, high resolution, and fantastic color rendition. It supports H.264/H.265 encoding which makes motion video fluent and clear even under less than ideal bandwidth conditions.

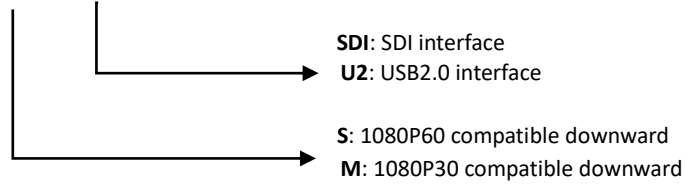


Features

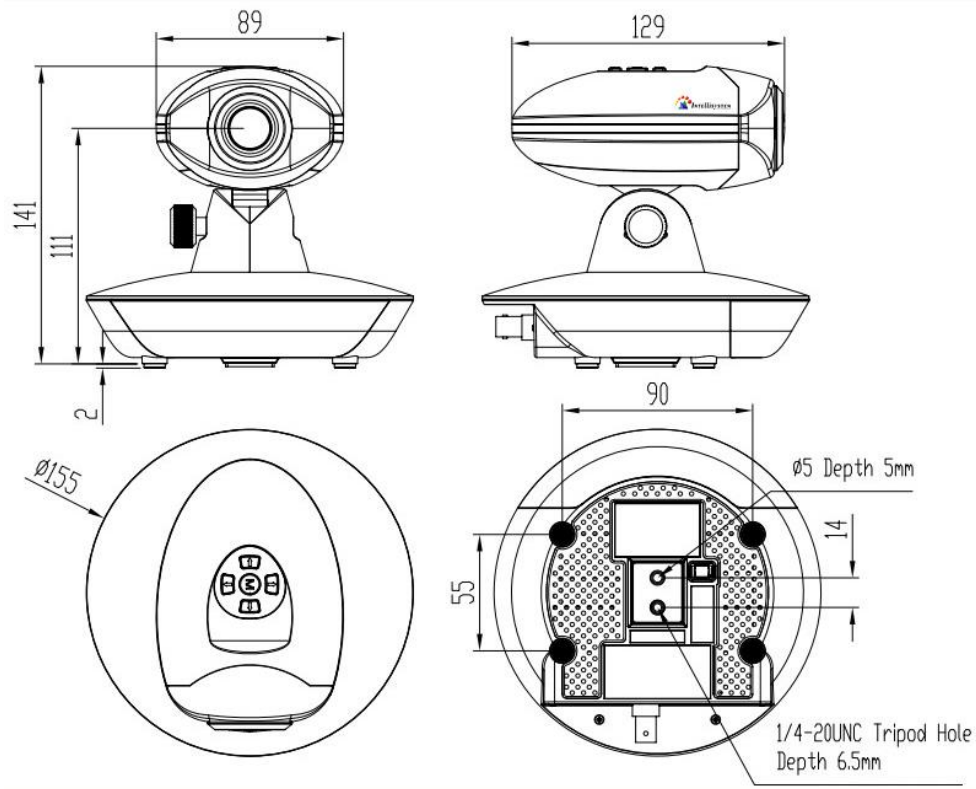
- **Superb High-definition Image**
It employs 1/2.8 inch high quality CMOS sensor. Resolution is up to 1920x1080 with frame rate up to 60fps.
- **Low Noise and High SNR**
Low Noise CMOS effectively ensure high SNR of camera video. Advanced 2D/3D noise reduction technology is also used to further reduce the noise, while ensuring image sharpness.
- **Multi-Format Video Outputs**
Multiple interfaces include: 3G-SDI and LAN. The 3G-SDI is available for 100m transmission at 1080p60 format.
- **Multiple Video Compression**
Support H.264/H.264+ video compression; Support compression of resolution up to 1920x1080 with frame up to 60fps.
- **Multiple Network Protocol**
Support ONVIF, RTSP, RTMP protocols and support RTMP push mode, easy to link streaming media server (Wowza, FMS); support RTP multicast mode.
- **3X ultra wide angle auto focus lens:** to meet various application.
- **Support pan/tilt adjust manually:** Convenient to adjust Pan/Tilt motion according to varies application.
- **Wide Application**
Tele-education, lecture capture, Webcasting, Videoconferencing, Tele-training, Tele-medicine, Interrogation and Emergency command systems.

Order Series

IT-FHDCC32 | X—XXX



Dimensions



Technical Specification

Model	IT-FHDCC32
Camera Parameter	
Sensor	1/2.8 inch high quality HD CMOS sensor
Effective Pixels	16: 9 2.07 megapixel
Video Format	1080P60/30/25/59.94/29.97; 1080I60/50/59.94;720P60/30/25/59.94/29.97;
Digital Zoom	X3 auto focus, f=2.5mm-12mm
Minimum Illumination	0.5Lux(F1.8, AGC ON)
DNR	2D & 3D DNR
White Balance	Auto / Manual/ One Push/3000K/3500K/4000K/4500K/5000K/5500K/6000K/6500K/7000K
Focus	Auto
Aperture	Auto
Electronic Shutter	Auto/Manual
BLC	ON/OFF
WDR	OFF/ Dynamic level adjustment
Video Adjustment	Brightness, Color, Saturation, Contrast, Sharpness B/W mode, Gamma curve
SNR	>55dB
Input/output Interface	
Video Interfaces	U2 interface: U2、LAN、RS232、A-IN SDI interface: SDI、LAN、RS232、RS485、A-IN
Image Code Stream	Dual stream output
Video Compression Format	H.264, H.265
Control Interface	RS-232;RS-485
Audio in interface	Double track 3.5mm linear input;
Audio Compression Format	AAC、MP3、G.711A
Audio output	Lan port
HD IP Interface	100M IP port (10/100BASE-TX)
Control Protocol	VISCA/PELCO-D/PELCO-P;
5 Control Key	UP/DOWN/LEFT/RIGHT/CONFIRM keys for OSD setting; control the lens
HD IP Interface	100M IP port (10/100BASE-TX), Support VISCA protocol control through IP port.
Network Protocol	RTSP,RTMP,ONVIF,GB/T28181,Remote Upgrade, Reboot and Reset, support networked full commend Visca control protocol;
Reset button	Support reset manually
Power Interface	HEC3800 power socket(DC12V)
Other Parameter	
Power Adaptor	AC110V-AC220V to DC12V/1A , POE power supply (optional)
Input Voltage	DC12V±10%
Input Current	400mA (Max)
Consumption	4.8W (Max)
Store Temperature	-10°C~+60°C
Store Humidity	20%~95%
Working Temperature	-10°C~+50°C
Working Humidity	20%~80%
Dimension	155mmX142mmX155mm
Weight	0.5kg
Application	Indoor
Accessory	12V/1A Power supply, User Manual, Warranty card, brackets (optional)