

IT-FHDCC31-01 Series HD Box Camera (4K Lens, 105° Wide Angle)

The IT-FHDCC3101 series camera offers perfect functions, superior performance and rich interfaces. The features include advanced ISP processing algorithms to provide vivid images with a strong sense of depth, high resolution, and fantastic color rendition. It supports H.264/H.265 encoding which makes motion video fluent and clear even under less than ideal bandwidth conditions.



Features

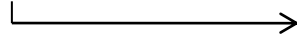
- **Superb High-definition Image**
It employs 1/2.8 inch high quality CMOS sensor. Resolution is up to 1920x1080 with frame rate up to 60fps.
- **Low Noise and High SNR**
Low Noise CMOS effectively ensure high SNR of camera video. Advanced 2D/3D noise reduction technology is also used to further reduce the noise, while ensuring image sharpness.
- **Multi-Format Video Outputs**
Multiple interfaces include: 3G-SDI and LAN. The 3G-SDI is available for 100m transmission at 1080p60 format.
- **Multiple Video Compression**
Support H.264/H.264+ video compression; Support compression of resolution up to 1920x1080 with frame up to 60fps and 2 channels 1920x1080p with 30fps compression.
- **Multiple Network Protocol**
Support ONVIF, RTSP, RTMP protocols and support RTMP push mode, easy to link streaming media server (Wowza, FMS)
- **Support Multiple Control Protocol.**
Support VISCA, PELCO-D, PELCO-P protocols which can also be automatically recognized. Support Visca protocol control through IP port.
- **Wide Application**
Tele-education, lecture capture, Webcasting, Videoconferencing, Tele-training, Tele-medicine, Interrogation and Emergency command systems.

Order Series

Name Product: **IT-FHDCC31-01**

X: Variable numbers and letters

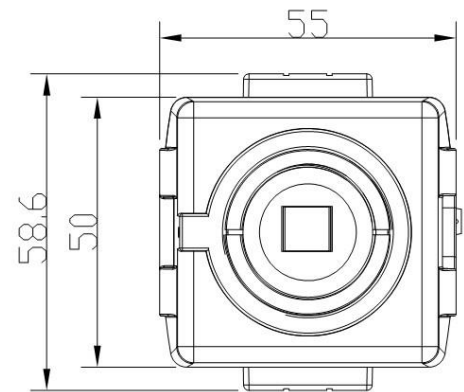
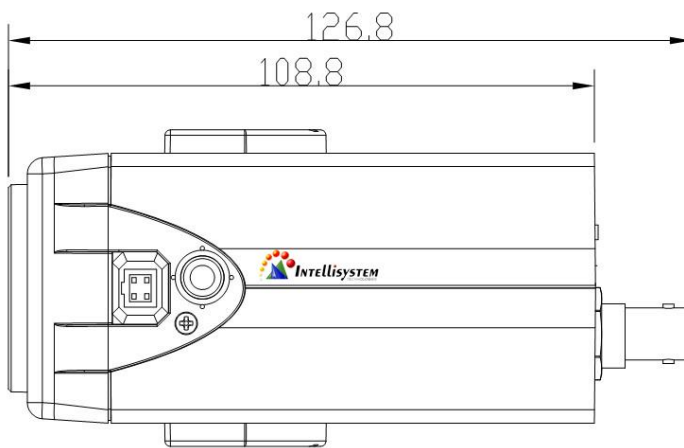
IT-FHDCC31-01X



S: 1080P60 downward compatible

M: 1080P30 downward compatible

Dimension



Technical Specification

Model	IT-FHDCC31-01
Camera Parameter	
Sensor	1/2.8 inch high quality HD CMOS sensor
Effective Pixels	16: 9 2.07 megapixel
Video Format	1080P60/30/25/59.94/29.97 1080I60/50/59.94 720P60/30/25/59.94/29.97
Auto Iris	DC driving mode
Lens	4K Fixed Lens, 105° Wide Angle
Digital Zoom	X5
Minimum Illumination	0.5Lux(F1.8, AGC ON)
DNR	2D & 3D DNR
White Balance	Auto / Manual/ One Push/ 3000K/ 4000K/5000K/6500K
Focus	Auto/Manual
Aperture	Auto/Manual
Electronic Shutter	Auto/Manual
BLC	ON/OFF
WDR	OFF/ Dynamic level adjustment
Video Adjustment	Brightness, Color, Saturation, Contrast, Sharpness, B/W mode, Gamma curve
SNR	>55dB
Input/output Interface	
Video Interfaces	3G-SDI
Image Code Stream	Dual stream output
Video Compression Format	H.264, H.265
Control Interface	RS-485
Control Protocol	VISCA/PELCO-D/PELCO-P; Baud Rate: 115200/9600/4800/2400bps
5 Control Key	UP/DOWN/LEFT/RIGHT/CONFIRM keys for OSD setting
HD IP Interface	100M IP port (10/100BASE-TX), Support VISCA protocol control through IP port.
Network Protocol	RTSP, RTMP, ONVIF, GB/T28181
Power Interface	HEC3800 power socket(DC12V)
Other Parameter	
Power Adaptor	AC110V-AC220V to DC12V/1A , POE power supply (optional)
Input Voltage	DC12V±10%
Input Current	400mA (Max)
Consumption	4.8W (Max)
Store Temperature	-10°C~+60°C
Store Humidity	20%~95%
Working Temperature	-10°C~+50°C
Working Humidity	20%~80%
Dimension	126.8mm x 55mm x 58.6mm
Weight	0.5kg
Application	Indoor
Remote Operation (IP)	Remote Upgrade, Reboot and Reset
Accessory	12V/1A Power supply, User Manual, Warranty card, brackets (optional)