

IT-FHDCC21 Series HD Integrated Zoom Camera

Full HD, Large Zoom Range, Multiple Video Interfaces

The **IT-FHDCC21** series camera offers perfect functions, superior performance and rich interfaces. The features include advanced ISP processing algorithms to provide vivid images with a strong sense of depth, high resolution, and fantastic color rendition. It supports H.264/H.265 encoding which makes motion video fluent and clear even under less than ideal bandwidth conditions.



Features

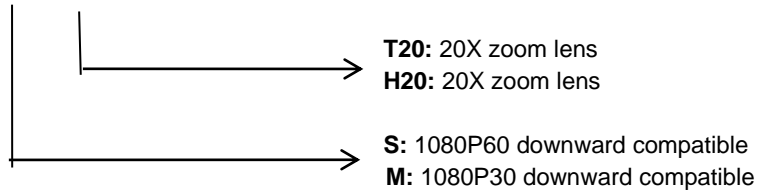
- **Superb High-definition Image**
IT-FHDCC21 employs 1/2.8 inch high quality CMOS sensor. Resolution is up to 1920x1080 with frame rate up to 60fps.
- **Leading Auto Focus Technology**
Leading auto focus algorithm makes lens a fast, accurate and stable auto-focusing.
- **Low Noise and High SNR**
Low Noise CMOS effectively ensure high SNR of camera video. Advanced 2D/3D noise reduction technology is also used to further reduce the noise, while ensuring image sharpness.
- **Multi-Format Video Outputs**
Multiple interfaces include: HDMI, 3G-SDI and LAN. The 3G-SDI is available for 100m transmission at 1080p60 format.
- **Multiple Video Compression**
Support H.264/H.264+ video compression; Support compression of resolution up to 1920x1080 with frame up to 60fps and 2 channels 1920x1080p with 30fps compression.
- **Multiple Network Protocol**
Support ONVIF, RTSP, RTMP protocols and support RTMP push mode, easy to link streaming media server (Wowza, FMS)
- **Support Multiple Control Protocol.**
Support VISCA, PELCO-D, PELCO-P protocols which can also be automatically recognized. Support Visca protocol control through IP port.
- **Wide Application**
Tele-education, Lecture Capture, Webcasting, Videoconferencing, Tele-training, Tele-medicine, Interrogation and Emergency command systems.

Order Series

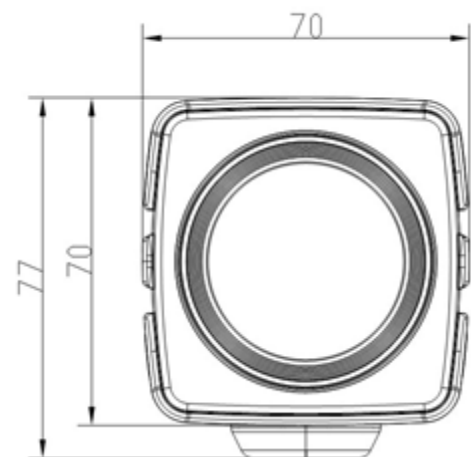
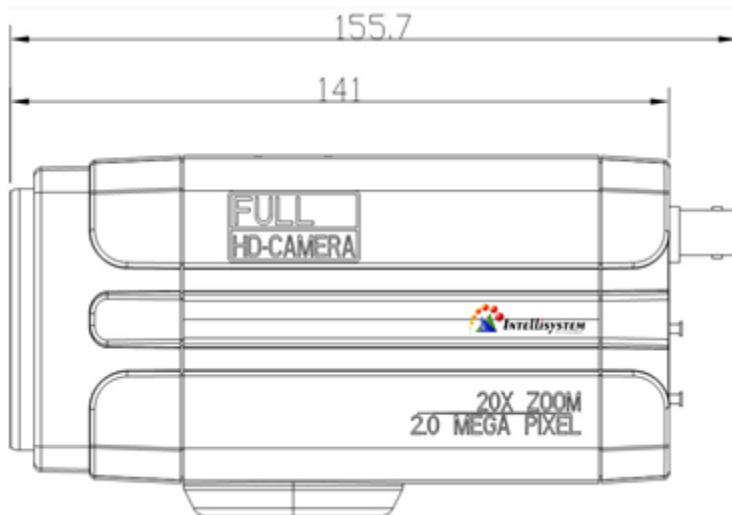
Name product: **IT-FHDCC21**

X: Variable numbers and letters

IT-FHDCC21X—XXX



Dimensions



Technical Specification

Model	IT-FHDCC21-S20	IT-FHDCC21-T20
Camera Parameter		
Sensor	1/2.8 inch high quality HD CMOS sensor	
Effective Pixels	16: 9, 2.07 megapixel	
Video Format	1080P60/50/30/25/59.94/29.97;1080I60/50/59.94; 720P60/50/30/25 /59.94/29.97	
Optical Zoom	20X optical zoom, f= 5.2~98mm	20X optical zoom, f= 4.7~94mm
View Angle	5.5°(tele)--54.7°(wide)	2.9°(tele)--55.4°(wide)
Aperture	F1.6 ~ F3.5	F1.6 ~ F3.5
Digital Zoom	10X	
Minimum Illumination	0.5Lux (F1.8, AGC ON)	
DNR	2D & 3D DNR	
White Balance	Auto / Manual/ One Push/ 3000K/ 4000K/5000K/6500K	
Focus	Auto/Manual	
Aperture	Auto/Manual	
Electronic Shutter	Auto/Manual	
BLC	ON/OFF	
WDR	OFF/ Dynamic level adjustment	
Video adjustment	Brightness, Color, Saturation, Contrast, Sharpness, B/W mode, Gamma curve	
SNR	>55dB	
Input/output Interface		
Video Interfaces	HDMI,3G-SDI	
Image Code Stream	Dual stream output	
Video Compression Format	H.264, H.265	
Control Protocol	Protocol: VISCA/PELCO-D/PELCO-P; Baud Rate: 115200/9600/4800/2400bps	
HD IP Interface	100M IP port (10/100BASE-TX), Support Visca protocol control through IP port.	
Network Protocol	RTSP/RTMP, ONVIF	
Power Interface	5.0 Card line socket (DC12V)	
Other Parameter		
Power Adaptor	AC110V-AC220V to DC12V/1A	
Input Voltage	DC12V±10%	
Input Current	400mA (Max)	
Consumption	4.8W (Max)	
Store Temperature	-10°C~+60°C	
Store Humidity	20% - 95%	
Working Temperature	-10°C~+50°C	
Working Humidity	20%--80%	
Dimension	155.7mm x 70mm x 70mm	
Weight	0.7KG	
Application	Indoor	
Remote Operation (IP)	Remote Upgrade, Reboot and Reset	
Accessory	12V/1A Power supply, User Manual, Warranty card, brackets (optional)	