

IT-FHD-GM1

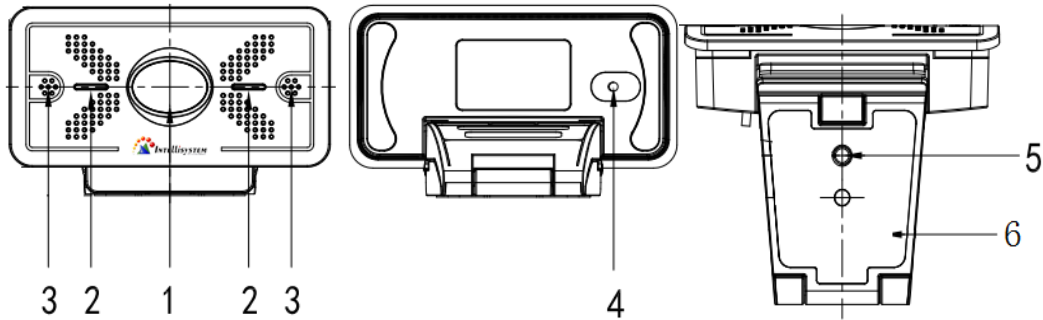
HD Video Conference Camera

The **IT-FHD-GM1** series camera offers perfect functions, superior performance; the features include advanced ISP processing algorithms to provide vivid images with a strong sense of depth, high resolution, and fantastic color rendition. Working stably and reliably; easy and convenient to install and maintain.



Features

- **Wide FOV:** IT-FHD-GM1 adopts 83° large wide angle and small distortion lens, to present an open vision;
- **Superb High-definition Image:** IT-FHD-GM1 employs 1/2.9 inch 2.07 megapixel high quality CMOS sensor. Resolution is up to 1920x1080 with frame rate up to 30fps.
- **Low Noise and High SNR:** Low Noise CMOS effectively ensure high SNR of camera video.
- **Multiple Video Compression:** Support H.264, MJPEG, YUV video compression, to made video play smoothly.
- **Stereo sound:** Built-in pick-up to present clear stereo sound effect, no need to connect external device.
- **USB 2.0 interface:** Plug and play function is better for power supply and upgrading;
- **Multiple installation:** Easy to install on any device, say, LCD screen, laptop, table or tripod.
- **Wide Application:** personal video conferencing, live video conference, collaboration meeting etc.
- **Convenient to operate:** No need to download driving device, see as below:



1. Lens (auto focus)	3. Audio in (built-in pick-up)	5. Bracket installation hole
2. Indicator light	4. USB2.0 output hole	6. Fixation clamp

Technical Specification

Camera Parameter	IT-FHD-GM1
Sensor	1/2.9 inch high quality HD CMOS sensor
Effective Pixels	16: 9 2.07 megapixels
Video Format	950x540 / 160x90 / 320x180 / 432x240 / 640x360 / 800x448 / 800x600 / 864x480 / 960X720 / 1024X576 / 1280X720 / 1600X896 / 1600X896 / 1600X896 / 1600X896 / 1600X896 / 1600X896 / 1920X1080 / 2304X1296 / 2304X1536 / 272X144 / 368X208 / 384X216 / 480X272 / 624X352 / 912X512 / 424X240 / 480X270 / 484X480 / 640X480 / 352X288 / 320X240 / 176X144 / 160X120 / P30
Digital zoom	X10
View Angle	83° (pan) 53.1° (tilt)
Minimum Illumination	0.5Lux (F1.8, AGC ON)
Focus	Auto
Aperture	Fixed
Backlight contrast	On/off
Exposure	Exposure parameter could be adjusted; support auto exposure
Video Adjustment	Brightness, Color, Saturation, Contrast, White balance mode, Gain, Anti-flicker, Low brightness compensation etc.
SNR	>50dB
Input / Output Interface	
Video Interfaces	USB 2.0 (power supply, upgrading available)
Video Compression Format	H.264,YUV,MJPEG
Audio Input Interface	Built-in omnidirectional high sensitive digital pickup
Other Parameter	
Input Voltage	5V
Input Current	500mA (Max.)
Power consumption	2.5W
Store Temperature, Humidity	-10°C~+60°C、20%~95%
Working Temperature, Humidity	-10°C~+50°C、20%~80%
Dimension (WXHDXD)	112mm*65mm*93mm
Weight (appx.)	0.25kg
Application	Indoor
Accessory	User Manual, Warranty card