

ThermalTronix

TT-1240M-CTCM

Surveillance Thermal Camera



FEATURES

Cooled 320*256 pixel HgCdTe cooled FPA detector.

50HZ full real-time image, ultra long-range observation range.

Fast auto focus.

Dual FOVS, meet different range requirements.

Multiple user defined auto mode, meets observation requirement of different targets.

Digital Detail Enhancement.

Standard interface, easy integration.

IP67 protection encapsulation, nitrogen inside to prevent corrosion, water and dust proof, quakeproof.

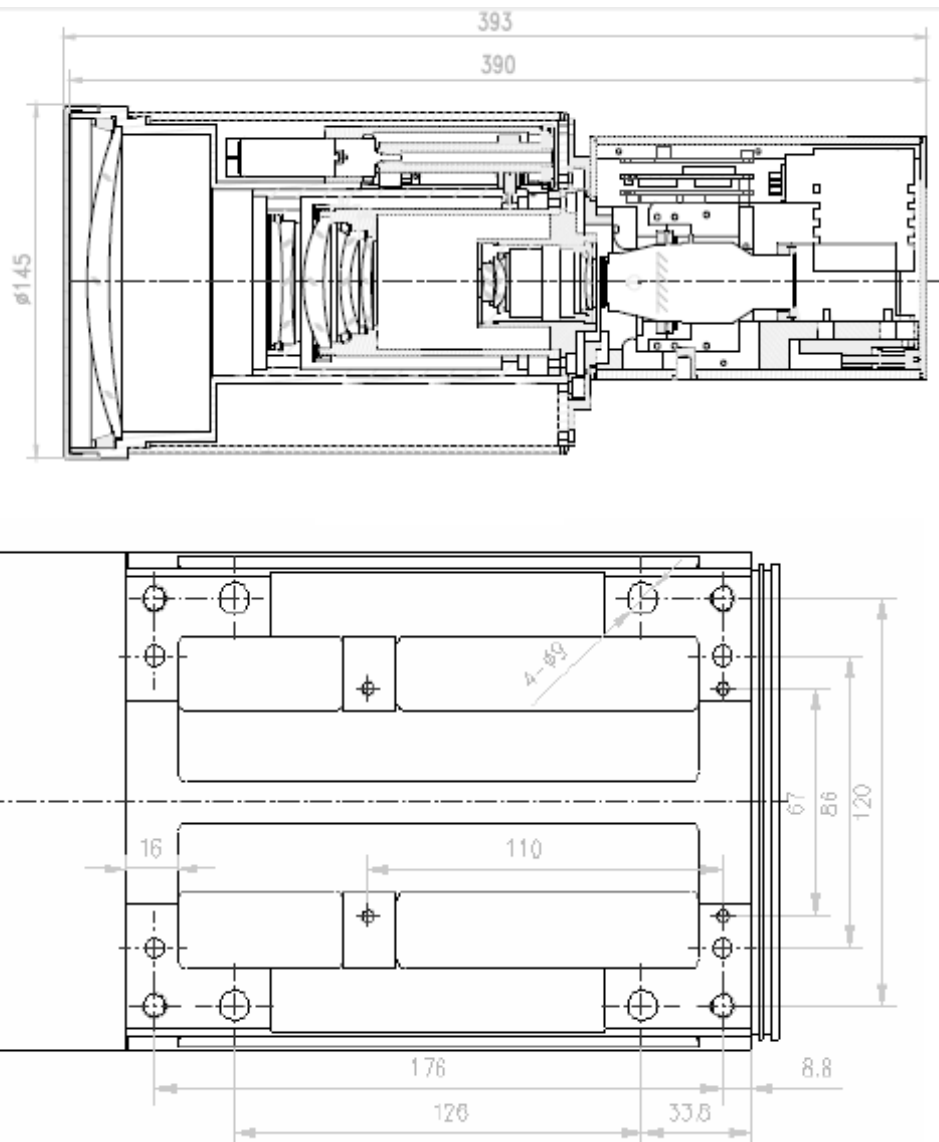
Intellisystem Technologies S.r.l.

Via Augusto Murri, 1 - 96100 Siracusa - Phone +39 (0)931-1756256 / +39 (0)2-87167549 - Mobile (+39) 335 1880035
em@il: info@intellisystem.it WEB: <http://www.intellisystem.it>

DESCRIPTION

Suitable for border, maritime, custom suppress smuggling, bridge etc. where requires day and night surveillance.

SIZE



SPECIFICATIONS

Item		<i>ThermalTronix TT-1240M-CTCM</i>
Detector	Detector type	HgTeCd Cooled FPA detector
	Array size/format	320×256
Image characteristics	Field of view/min focus distance	WFOV: 9.2°×7.3°/5m NFOV: 2.3°×1.8°/30m
	Focal length	240/60mm
	Spatial resolution	WFOV: 0.5mrad NFOV: 0.125 mrad
	FOV switch time	≤2s
	NETD	≤20mk@30°C, F2
	Frame frequency	50HZ
	Focus	Auto/Electrical manual focus
	Spectral range	3.7-4.8μm
Thermal operations	Starting time	<8min (In normal temperature 25 degrees)
	Brightness/gain adjustment	manual brightness/gain adjustment; auto brightness/gain adjustment
	Auto brightness/gain configuration adjustment	2 fix pattern, 8 user defined setting pattern
	Polarity reversal	Black hot/White hot
	Zoom	2x
	Noise reduction	Yes
	DDE	Yes
	Calibration	Automatic and manual calibration
	Crosshair	Display/Hidden
Power system	External power supply	24±3V DC
	Power consumption	<14W (<14W (In normal temperature 25°C normal work)
Environment	Operating temperature	-40°C ~ +55°C

	Storage temperature	-45°C ~ +65°C
	Encapsulation	IP67
Physical Characteristics	Weight	≤8Kg
	Dimension	417mm×147mm×179mm
Interface	Power interface	Yes
	Video output	PAL
	Communication protocol	PELCO-D/P , Intellisystem
	Remote Control	RS485