

ThermalTronix

TT-1240CM-CTCM

Thermal Camera Specifications



FEATURES

640*512 cooled FPA detector.

50HZ full real-time image, ultra long-range observation range.

Fast auto focus, continuous zoom, meets different range requirements.

Multiple user defined auto mode, meets observation requirement of different targets.

Digital and analog video output.

Standard interface, easy integration.

IP67 protection grade, nitrogen inside prevents corrosion, well function of water and dust proof, quakeproof.

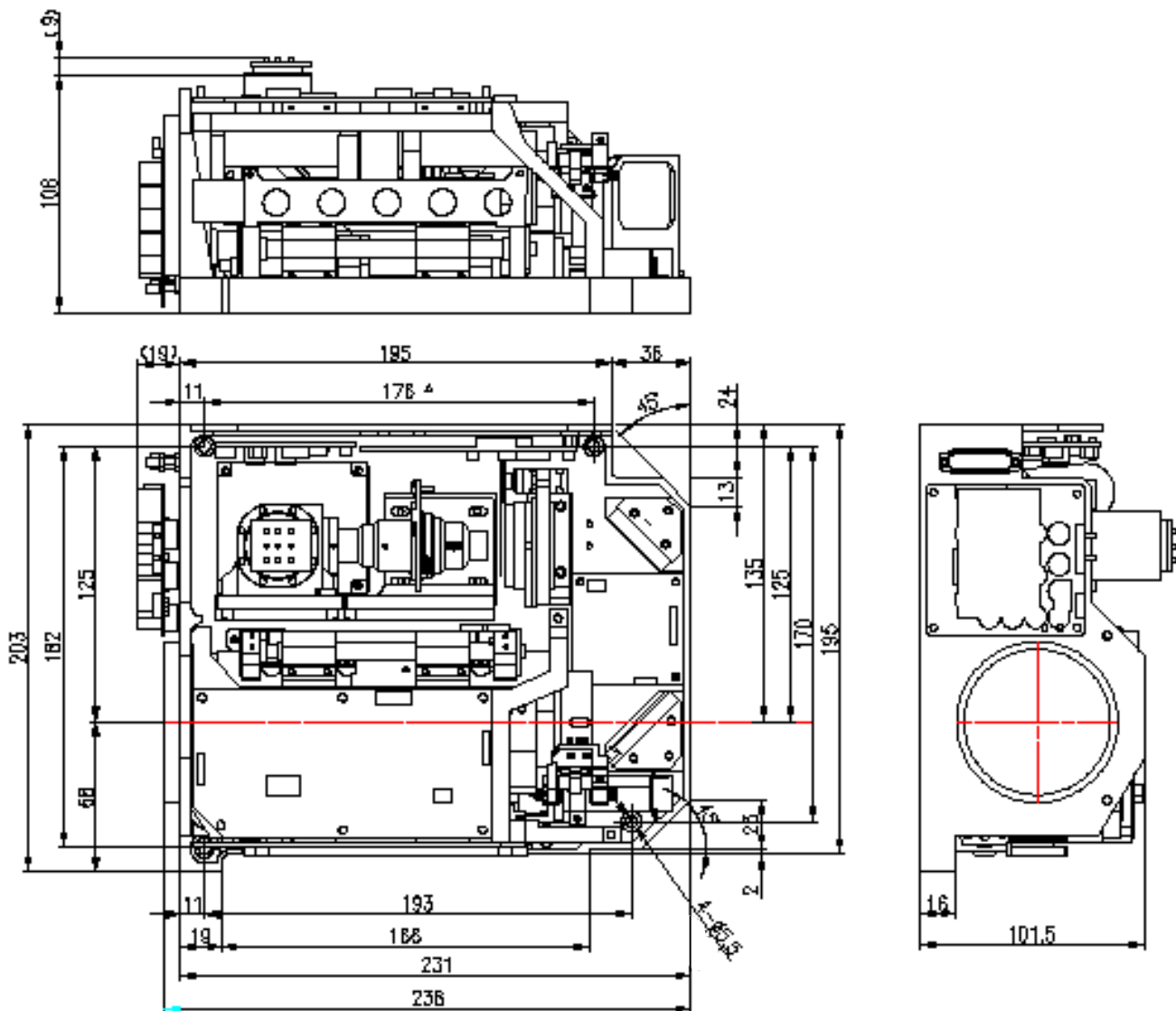
Intellisystem Technologies S.r.l.

Via Augusto Murri, 1 - 96100 Siracusa - Phone +39 (0)931-1756256 / +39 (0)2-87167549 - Mobile (+39) 335 1880035
em@il: info@intellisystem.it WEB: <http://www.intellisystem.it>

DESCRIPTION

Suitable for border defense, marines, custom suppress smuggling, bridge where require day and night surveillance.

SIZE



Intellisystem Technologies S.r.l.

Via Augusto Murri, 1 - 96100 Siracusa - Phone +39 (0)931-1756256 / +39 (0)2-87167549 - Mobile (+39) 335 1880035
 em@il: info@intellisystem.it WEB: <http://www.intellisystem.it>

SPECIFICATIONS

	Item	<i>ThermalTronix TT-1240CM-CTCM</i>
Detector	Detector type	HgTeCd Cooled FPA detector
	Array size/format	640×512
	Spectral range	3.7-4.8um
Image characteristics	Frame rate	50Hz
	Starting time	<8min (When normal temperature 25 degrees)
	NETD	≅ 20mk@30°C, F4
	Field of view/min focus distance	WFOV: 9.2°×7.3°/5m NFOV: 2.3°×1.8°/30m
	Focal distance	40~240mm continuous zoom
	Focus	Auto/Electrical manual focus
Image processing	Brightness/gain control	Manual brightness/gain; Automatic brightness/manual gain; Automatic brightness/gain
	Calibration	Automatic and manual calibration
	Polarity reversal	Black hot/White hot
	Electronic zoom	2x
	Image enhancement	Available
	Noise reduction	Available
	Crosshair	Display/Hidden
Physical Characteristics	External power supply	24±3V DC
	Power consumption	≤14W (Normal temperature 25°C normal work)
	Operating temperature	-40°C ~ +55°C
	Storage temperature	-45°C ~ +65°C
	Encapsulation	IP67
	weight	<4kg(w/o housing)
	Dimensions	Refer to drawings
	Analog video output	PAL
	Digital video output	YES (Camlink)
	Communication protocol	PELCO-D/P , DALI
	Remote Control	RS422