

TT-31LA10-TIM

ThermalTronix Uncooled HD Thermal Imaging Module 384 x 288, pitch: 17 μ m. Continuous digital zoom, from 1 x -4 x (step of 0.1/1)



Product Features

TT-31LA10-TIM Series thermal imaging module is a universal module designed for OEM applications. TT-31LA10-TIM Series module is adaptable for various applications including automotive night vision system, forest fire prevention and security/surveillance, etc.

Basic Functions

- Resolution: 384 x 288, Pixel pitch: 17 μ m
- High sensitivity: NETD \leq 50mK
- Professional image processing: Digital denoise, Digital detail
- Various interfaces optional: RS232, RS422, UART (3.3V)
- Support various video outputs: PAL, LVCMOS, LVDS, Cameralink
- Weight: \leq 100g
- Friendly electrical and mechanical interfaces

Thermal 384 x 288 Sample Images



Optional component

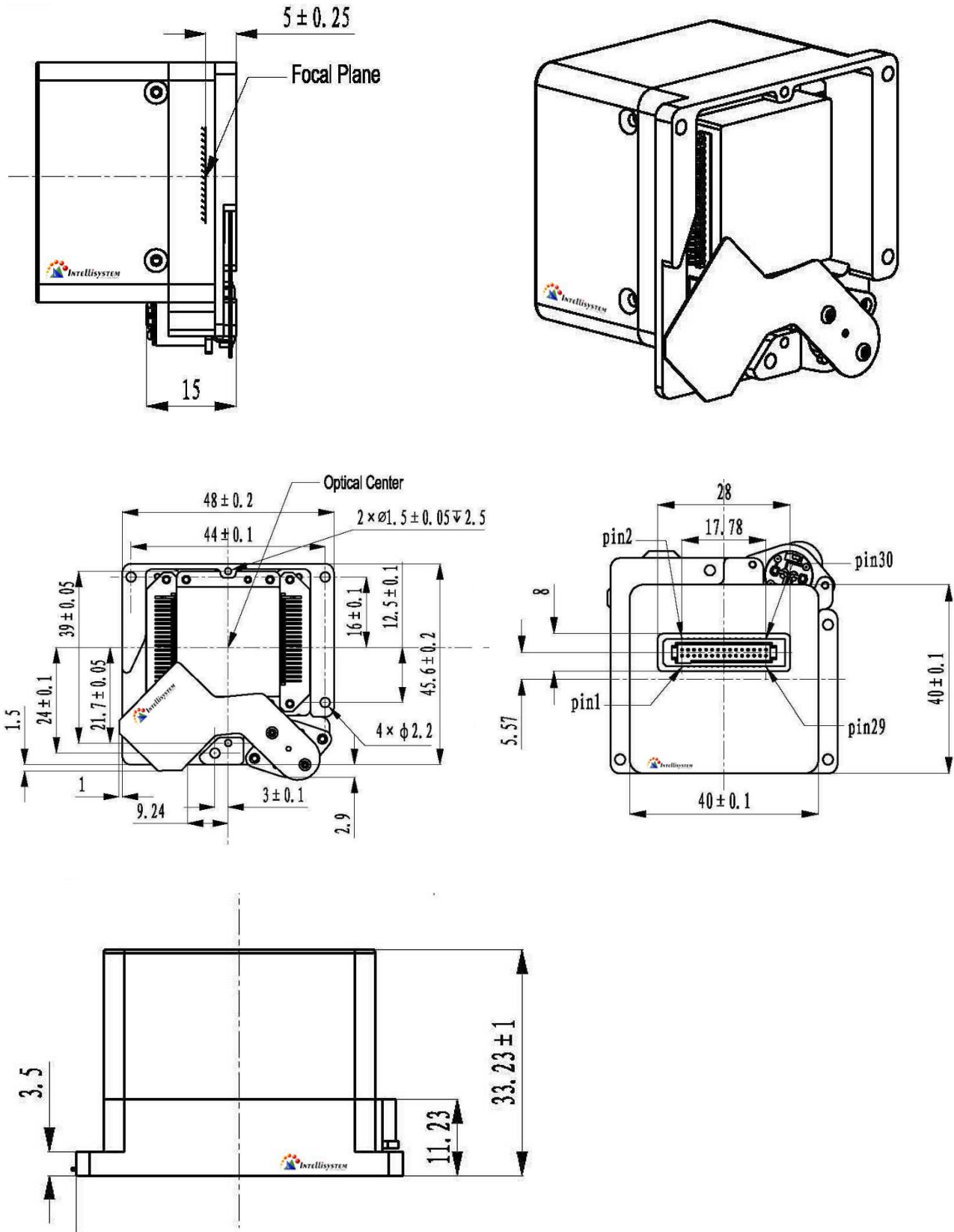
Expansion components and other accessories

Different kinds of expansion components and accessories are available to meet customer's demands for different interfaces and functions.

NO.	PN.	Model	Picture	Applied Model
1	Expansion Board	A00-16000		TT-31LA10-TIM
2	Expansion Board	A00-11000		TT-31LA10-TIM
3	Housing	A0001		TT-31LA10-TIM module, with A00-16000 expansion board
4	Housing	A0002		TT-31LA10-TIM module, with A00-11000 expansion board

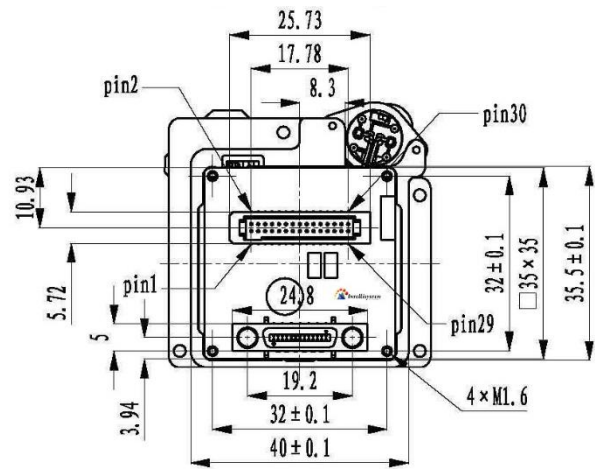
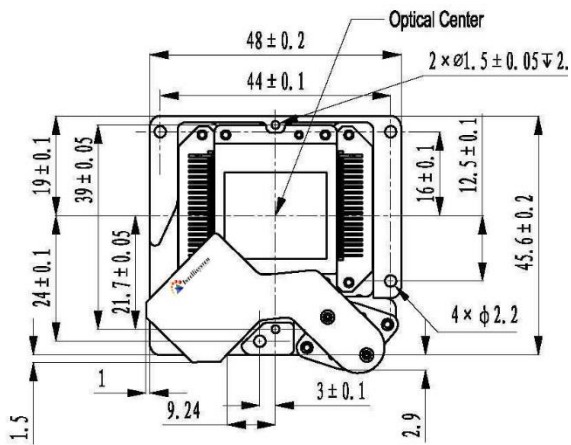
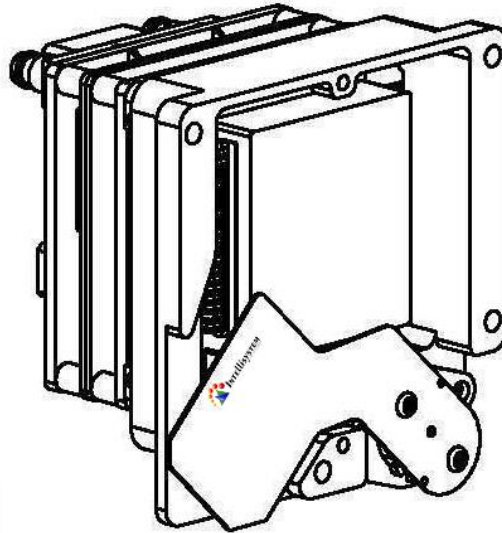
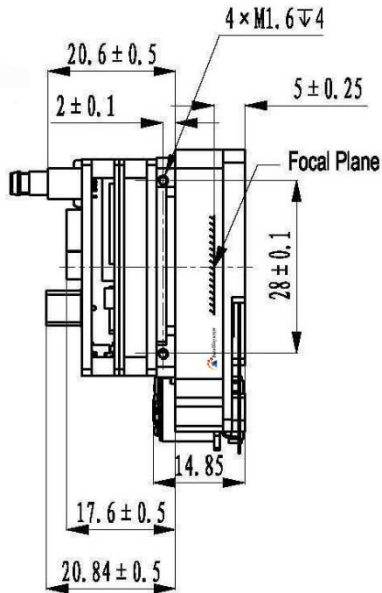
Mechanical Drawings

TT-31LA10-TIM without expansion modules



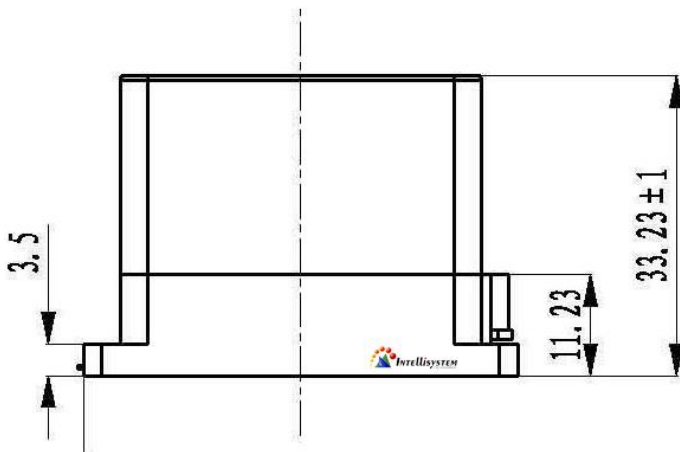
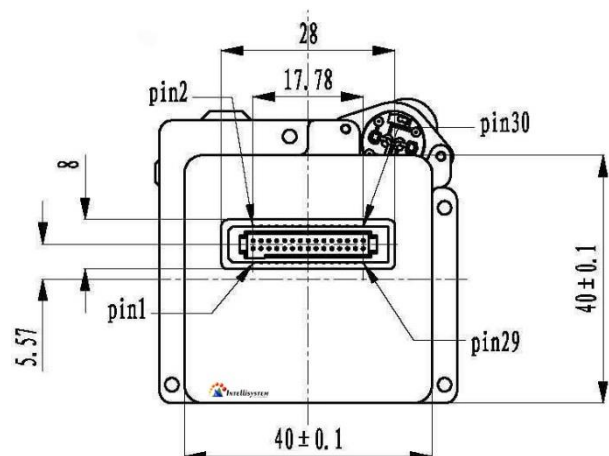
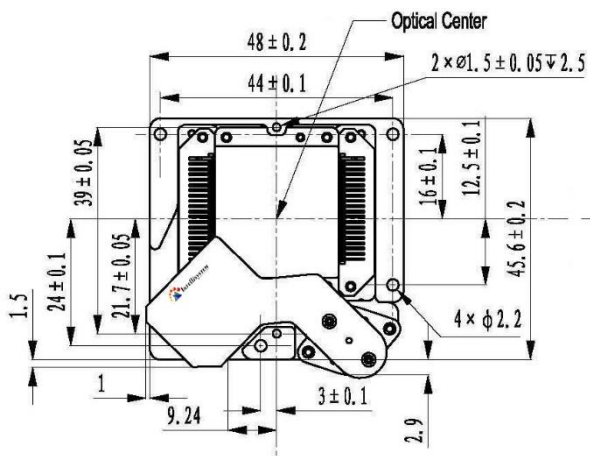
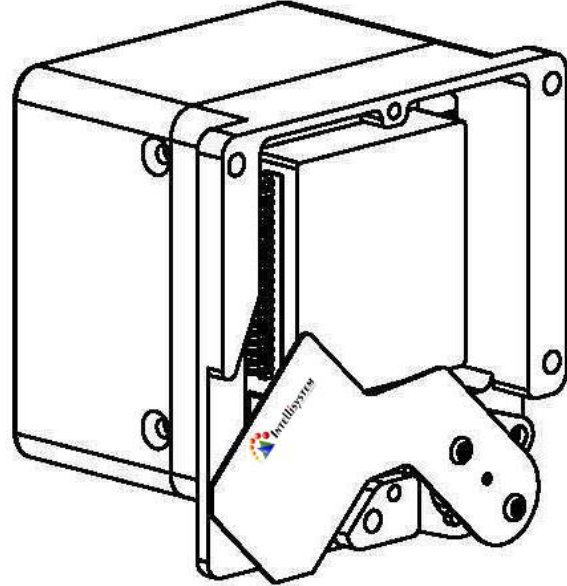
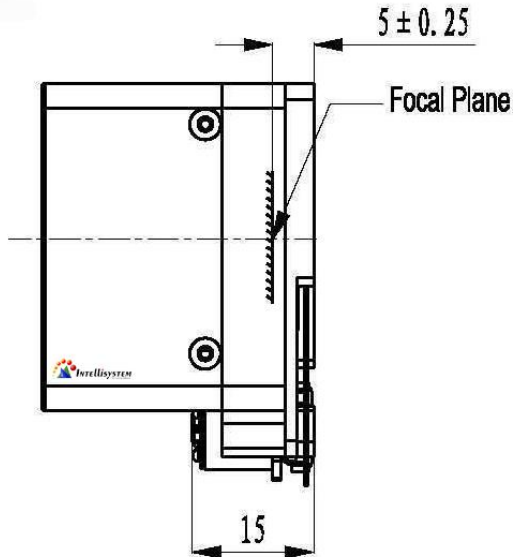
Mechanical Drawings

TT-31LA10-TIM with A00-16000 expansion



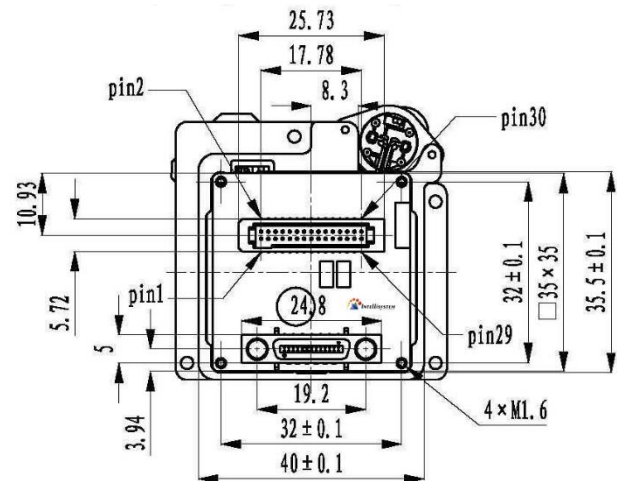
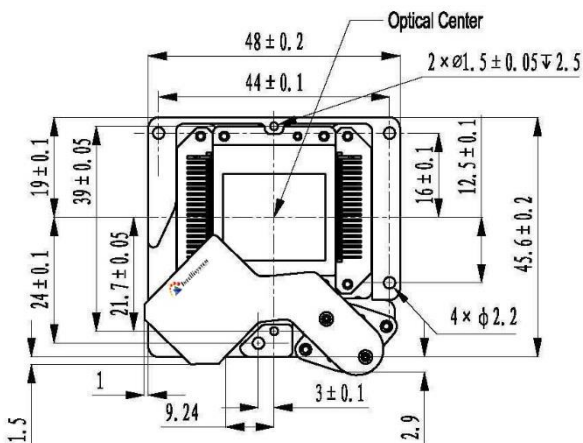
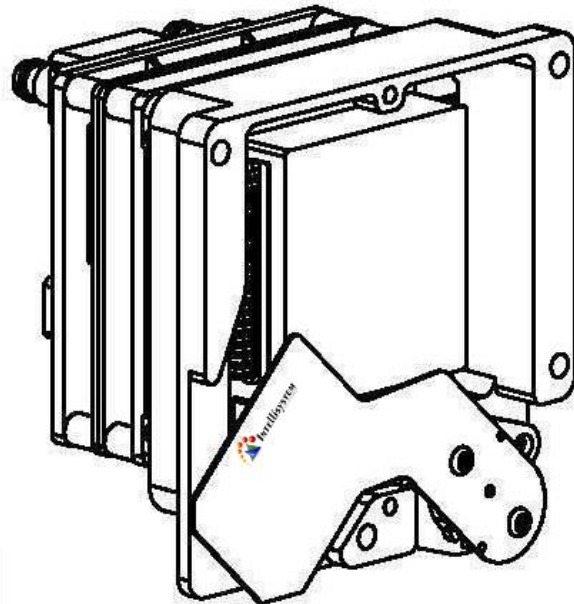
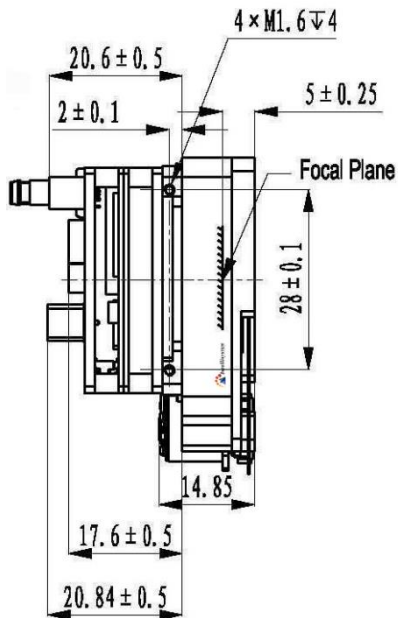
Mechanical Drawings

TT-31LA10-TIM with expansion board A00-16000 & Housing A0001



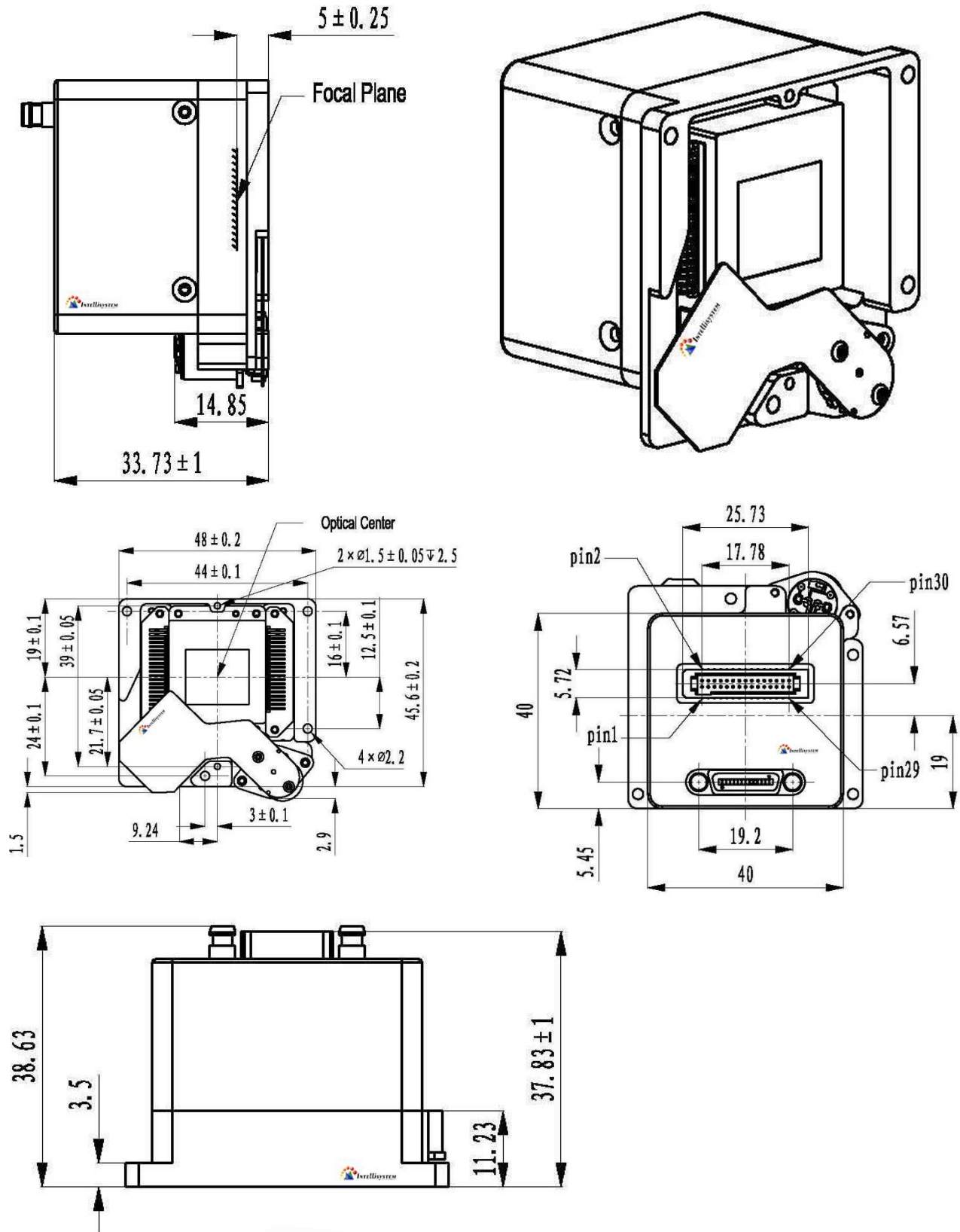
Mechanical Drawings

TT-31LA10-TIM with A00-11000 expansion board



Mechanical Drawings

TT-31LA10-TIM with Expansion Board A00-11000 & Housing A0002



Specifications

Models	TT-31LA10-TIM
System Type	Uncooled LWIR Thermal Imaging Module
Performance	
Resolution	384 x 288
Pixel Pitch	17 μ m
Spectral Band	8-14 μ m
Sensitivity (NETD)	\leq 60mK (50mK optional)
TEC	Yes
Video Format	
Frame Rate	50Hz
Analog Video	1-CH PAL
Digital Video	14-bit or 10-bit LVCMOS / LVDS / Cameralink
Digital Zoom	Continuous digital zoom, from 1 x -4 x (step of 0.1/1)
Power System	
Input Voltage	4 – 6 V Base configuration 5 – 24 V Base configuration with expansion Board
Typical Input Voltage	4 V Base configuration 12V Base configuration with expansion Board
Function	
Communication Interface	RS-232; UART (3.3V); RS-422
Image Processing	Digital denoise Digital detail enhancement Non-Uniformity Correction
Image Control	Polarity: White Hot/black Hot Orientation: Vertical/Horizontal/Diagonal Pseudo-color: support Cross cursor: Display/Hide/Move
Physical Attributes	
Size	35mm x 35mm (circuit board)
Weight	\leq 100g
Environmental	
Operating Temp Range	-40°C to +60°C
Storage Temp Range	-45°C to +85°C

All products, product specifications and data are subject to change without notice.