

# IT-ES3020-IU-4GS (12-48VDC)

16 ports 10Base-T/100BaseTX + 4 ports 1000Base-FX SFP

## Features

1. Support 16 ports 10Base-T/100Base + 4 ports 1000Base-FX SFP
2. Support MAC address auto-learning, auto-aging.
3. Support 8K MAC address table
4. System exchange bandwidth: 11.2Gbps
5. Support redundancy power supply (12 ~ 48VDC), non-polarity
6. Support flow control
7. Support Broadcast storm suppression
8. Support 1ch relay alarm output
9. Working temperature: -40°C ~ 85°C
10. DIN rail mounted
11. No fan, low consumption.
12. Metal shell, IP40 protection class.



1

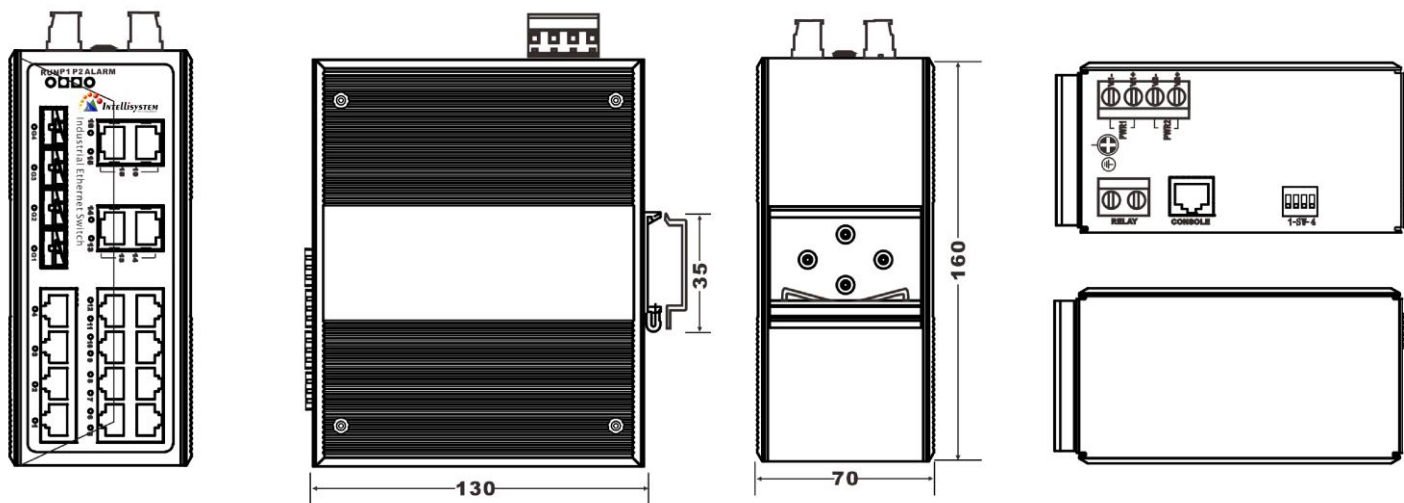
## Introduction

IT-ES3020-IU-4GS (12-48VDC) is an unmanaged Industrial Ethernet switch with high performance, high cost-effective, it provided 16 ports 10Base-T/100Base-TX Ethernet + 4 ports 1000Base-FX SFP slot. It supports auto flow control, full/half duplex

mode and MDI/MDI-X self-adaption. It built in standard industry design, all components are based on Industry grade, no fan, low consumption, can satisfied some kinds of requirements of industry field, to achieve high reliability.

## Dimensions and appearance

### Unit (mm)



## Specifications

### Technology

Standard: IEEE802.3, IEEE802.3u, IEEE802.3x

Flow control: IEEE802.3x, back pressure

### Interfaces

Electric port: 10Base-T/100Base-TX auto speed control, Half/full duplex and MDI/MDI-X auto detection

100M fiber port: 100Base-FX, SC/ST optional

1000M fiber port: 1000Base-FX (SFP port)

Alarm port: 2bit 7.62mm Terminal block

1 channel relay alarm output

### Transfer distance:

Twisted cable: 100M (standard CAT5/CAT5e cable)

Multi mode fiber: 1310nm, 500m

Single mode fiber: 1310nm, 20/40/60Km

1550nm, 60/80/100/120Km

### Exchange attributes:

100M forward speed: 148810pps

1000M forward speed: 1488100pps

100M maximum filter speed: 148810pps

1000M maximum filter speed: 1488100pps

Transmit mode: store and forward

System exchange bandwidth: 11.2G

MAC address table: 8K

Memory: 256Kbits

### LED indicators

Power supply indicator: P1, P2

Alarm indicator: ALARM

Running status indicator: RUN

100M port connection/running status: Link/Act (1~16)

1000M port connection/running status: Link/Act (G1~G4)

### Power supply

Input voltage: 12~48VDC

Input method: 4 bits 7.62mm terminal block

No-load consumption: 4.752W@24VDC

Full-load consumption: 9.854W@24VDC

Support DC dual power supply redundancy

Overload current protect: 4.0A (DC)

Power supply support non-polarity

### Mechanical Structure:

Shell: IP40 protect grade, metal shell

Installation: DIN rail and wall mount

Size (W×H×D): 160mm×130mm×70mm

Weight: 1016g

Working environment:

Working temperature: -40~85°C

Storage temperature: -40~85°C

Relative Humidity: 5%~95% (no condensation)

### Standards

EMI: FCC Part 15, CISPR (EN55022) class A

EMS: EN61000-4-2 (ESD), Level 4

Shock: IEC 60068-2-27

Free fall: IEC 60068-2-32

Shake: IEC 60068-2-6

### Warranty

Warranty time: 5 years

### Certifications

CE, FCC, RoHS, UL508 (Pending)

## Ordering informations

Model number(-40°C ~ 85°C)	10/100M Ethernet	1000M Fiber (LC)		12~48VDC
		SM	MM	
IT-ES3020-IU-4GS	16	4	—	
IT-ES3020-IU-4GS	16	—	4	