

IT-ES605-IM-1F-2D(RS-485)

5 ports Industrial Managed Ethernet Switch with 2 ports RS485/422

Features

1. Support 4 ports 10/100Mbps Ethernet, 1 port 100M fiber port and 2 ports RS485/422.
2. SW-Ring™ (recovery time < 20 ms at full load).
3. Support 2 ports RS485/422 to Ethernet.
4. Support AT command.
5. Support alarm output.
6. Support WEB setting, east to management.
7. Accord to Industrial 4 grades.
8. IP30 protect grade, high strength iron shell, DIN Rail installation.



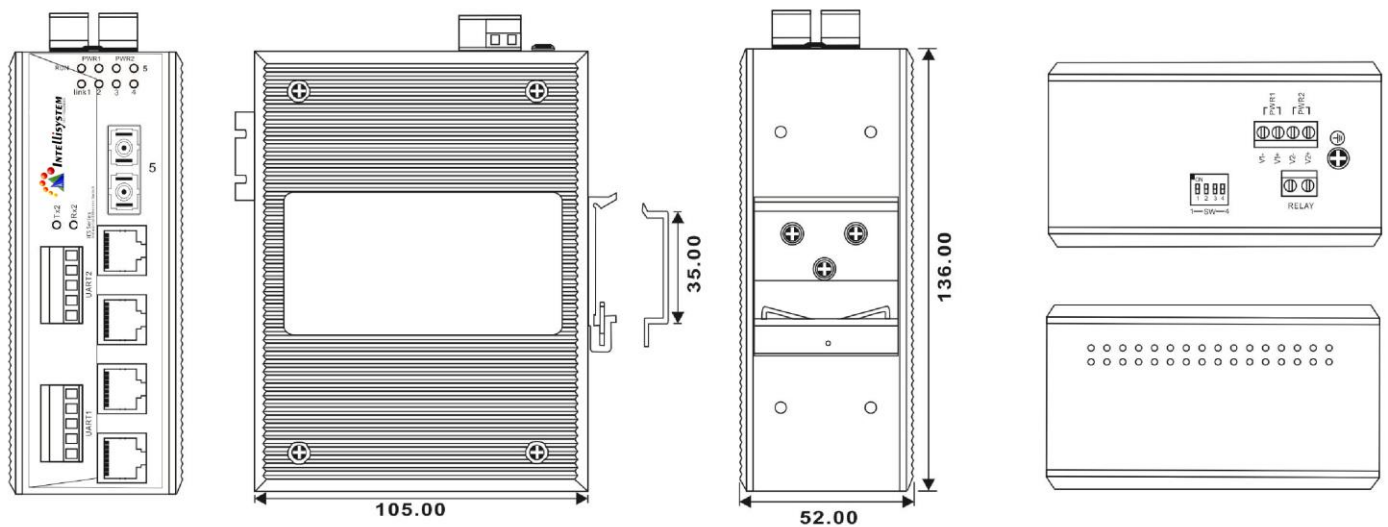
Introduction

IT-ES605-IM-1F-2D(RS-485) Industrial Ethernet switches integrated serial device server function, it adopt SW-Ring redundant technology (Recovery time <20ms), users can set the redundant easily to increase network reliability, furthermore, IT-ES605-IM-1F-2D(RS-485) can support 2 ports RS485/422, AT command and alarm output. It adopted no fan, low power consumption design, IP30, corrugate high

strength iron shell, the performance is more steadily. It accorded with CE, FCC standard and Industrial 4 grades, DIN rail installation and wide operating temperature (-40~75°C), it can satisfied some kinds of industrial environment, it can provide reliable and quickly solution for your Ethernet device.

Dimensions and appearance

Unit (mm)



Specifications

Technology

Standard:

IEEE802.3, IEEE802.3u, IEEE802.3x

Flow control:

IEEE802.3x, back pressure control

Interfaces

Fiber port: 100Base-FX, SC/ST optional

Single-mode: 20, 40, 60, 80, 120Km

Multi-mode: 2Km

Wavelength: 1310nm, 1550nm

Ethernet port: 10/100Base-TX, RJ45, full/half duplex and MDI/MDI-X self-adaption

Alarm terminal block

2 bits 7.62mm terminal block,

1 relay alarm output,
 Electric load capacity: 1A@30VDC
 RS485/422: 5 bits terminal block

Exchange of attributes

Transmission: store and forward
 Bandwidth: 12G
 Memory: 1Mbits
 MAC address: 2K

Indicators

Working: Run
 Interface: Link1~5
 Power supply: PWR1, PWR2
 RS485/422 data: TX, RX

Power supply

Power input: 24VDC (12~48VDC)
 Terminal block: 3 bits 7.62mm terminal block
 No-load power consumption: 1.7W@24VDC
 Full-load power consumption: 2.4W@24VDC
 Support redundant protection
 Support over-current protection
 Support reverse connection protection

Environmental

Operating Temperature: -40 to 75°C

Storage Temperature: -45°C to 85°C

Ambient Relative Humidity:
 10 to 95% (non-condensing)

Mechanical

Shell: IP30, high strength iron shell.
 Installation: DIN Rail
 Weight: 900g
 Dimensions (W×H×D): 136 mm×52mm×105mm

Standards

EMI: FCC Part 15, CISPR (EN55022) class A
 EMS: EN61000-4-2 (ESD), Level 4
 EN61000-4-3 (RS), Level 3
 EN61000-4-4 (EFT), Level 4
 EN61000-4-5 (Surge), Level 4
 EN61000-4-6 (CS), Level 3
 EN61000-4-8, Level 5
 Shock: IEC 60068-2-27
 Free fall: IEC 60068-2-32
 Vibration: IEC 60068-2-6

Warranty

Warranty time: 5 years

Certifications

CE, FCC, RoHS, PAL, UL508 (pending)

Ordering informations

Option model	Port				Power
	100M Ethernet	100M fiber (SC/ST/FC) SM or MM	Serial port		
Standard model			RS-232	RS-485/RS-422	
IT-ES605-IM-1F-2D(RS-485)	4	1	—	2	12~48VDC
IT-ES605-IM-1F-2D(RS-232)	4	1	2	—	
IT-ES605-IM-2F-2D(RS-232)	3	2	2	—	
IT-ES605-IM-2F-2D(RS-485)	3	2	—	2	
IT-ES605-IM-2D(RS-485)	5	—	—	2	
IT-ES605-IM-2D(RS-232)	5	—	2	—	