

# 800 Watts Single Output with Active PFC

## IT-EMC-800PFC Series



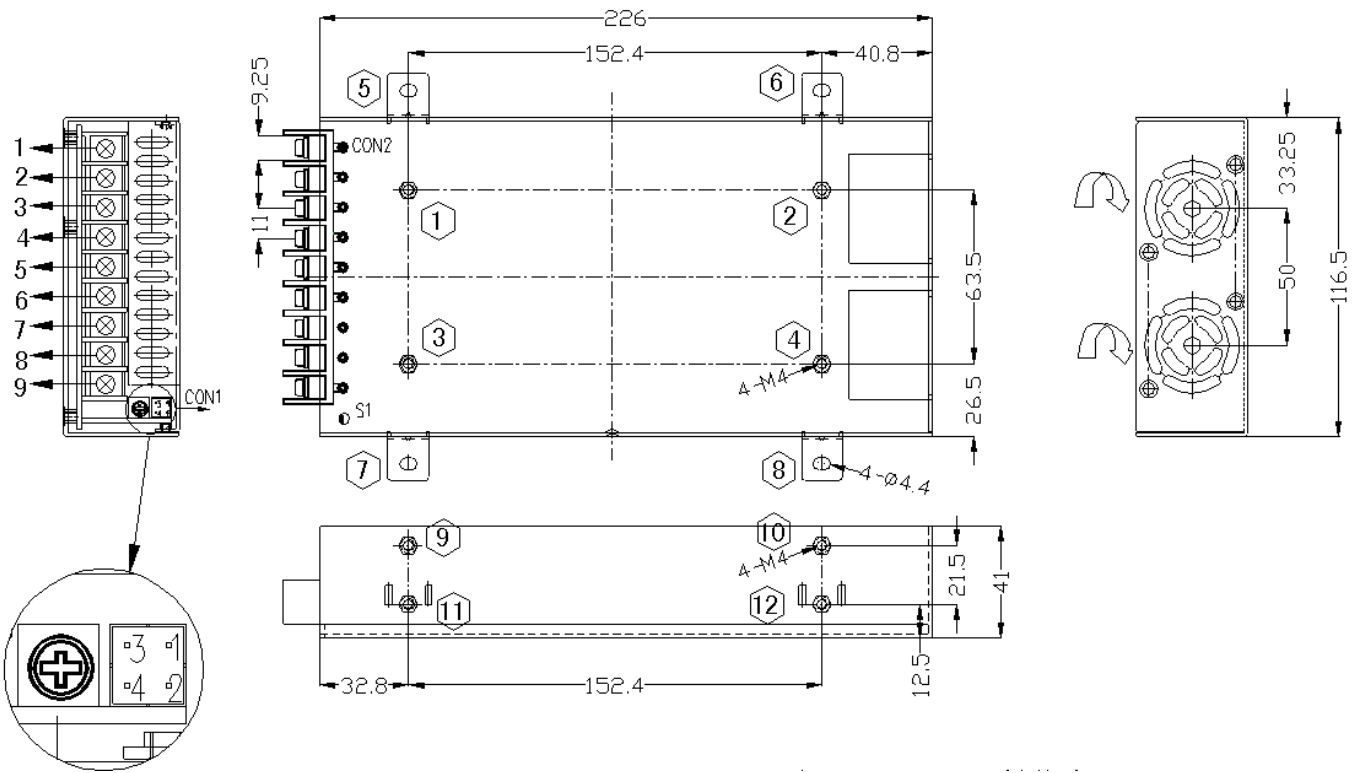
### FEATURES:

- Universal AC input (90~264Vac)
- Built-in active PFC function, PF>0.96
- Using ZVS technology to reduce power dissipation
- Output protection: OVP/OLP/SCP/OPP/OTP
- Built in Fan speed control
- Built in AC inrush current limiting circuit(<20A)
- Built in constant current limiting circuit
- Built in Remote Sense Function
- Built in DC OK signal
- Wide operating ambient temperature (-30°C~70°C)
- 1 U low profile, 41mm
- 3 years warranty

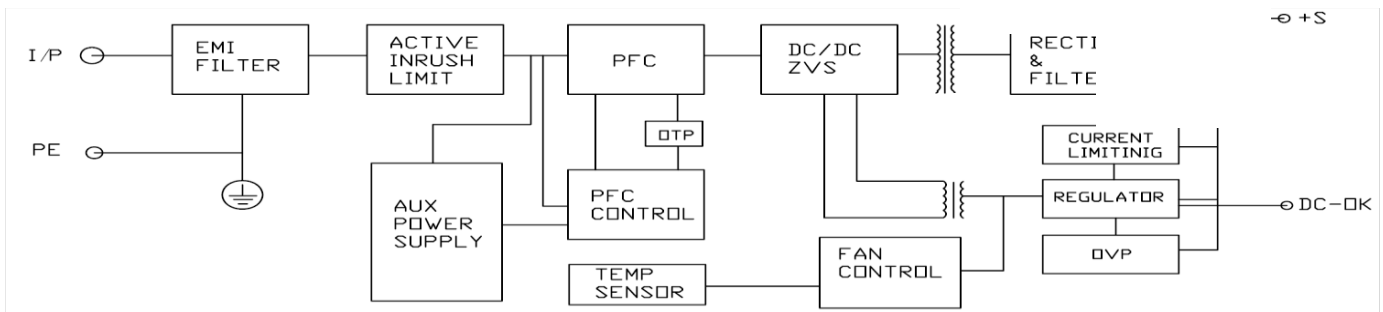
## SPECIFICATION

MODEL		IT-EMC-800PFC-24	IT-EMC-800PFC-48	
OUTPUT	DC Output	24V	48V	
	Rated Current	33A	16.5A	
	Ripple and Noise Note 2	≤200mV	≤200mV	
	Voltage ADJ. Range	21.6~26.4V	43.2~52.8V	
	Voltage Accuracy	±2%		
	Line Regulation	±0.5%		
	Load Regulation	±2%		
	Set-up Time	≤3S (220Vac input, Full load)		
	Hold up Time	≥8mS (220Vac input, Full load)		
	Temperature Coefficient	±0.03%/°C		
	Overshoot and Undershoot	<5.0%		
INPUT	Voltage Range	90Vac~264Vac, 127Vdc~370Vdc		
	Frequency Range	47Hz~63Hz		
	Power Factor(Typical)	PF≥0.96/230VAC	PF≥0.98/115VAC	Full Load
	Efficiency ( Typical)	≥89%	≥89%	
	AC Current (max.)	≤12 A		
	Inrush Current (Typical)	≤20A @220Vac Cold start		
	Leakage Current	Input—output: ≤0.25mA Input—PG: ≤3.5mA		
PROTECTION	Over Load	36.3~44.55A, Constant current, auto	18.15~22.3A, Constant current, auto	
	Over power	871.2~1069.2W, Constant current,	871.2~1069.2W, Constant current,	
	Over Voltage	27.6~36V, Constant voltage, auto	55.2~60V, Constant voltage, auto	
	Over Temperature	105°C±5°C(detect on Mosfet temperature);shut down,auto recovery after the temperature goes down to 70°C		
	Short Circuit	Long-term mode, constant current, auto recovery		
ENVIRONMENT	Operating amb. Temp. & Hum.	-30°C~70°C; 20%~90%RH No condensing (refer to derating curve)		
	Storage Temp. & Hum.	-40°C~85°C; 10%~95%RH No condensing		
SAFETY & EMC (Note 3)	Safety Standards	UL60950-1 2nd Ed; IEC 60950-1:2005(2nd Ed) ;EN60950-1:2006		
	Withstand Voltage	Primary-Secondary: 3.0KVac/10mA .Primary-PG:1.5KVac/10mA. Secondary-PG: 0.5KVac/10mA.		
	Isolation Resistance	10M ohms		
	EMI Conduction&Radiation	Compliance to EN55022 FCC PART 15 CLASS B		
	Harmonic Current	Compliance to EN61000-3-2,Class D		
	EMS Immunity	Compliance to EN61000-4-2,3,4,5,6,8,11; heavy industry level		
OTHERS	MTBF (MIL-HDBK-217F)	More than 200,000Hrs (25°C, Full load)		
	Dimension (L*W*H)	226×116.5×41mm		
	Packing	12PCS/CTN, 16.8KGS, 0.04CBM		
	Cooling method	Forced air cooling(Built-in fan,the fan speed is controlled by load and internal temp.)		
NOTE	<ol style="list-style-type: none"> <li>All parameters NOT specially mentioned are measured at rated input, rated load and 25°C of ambient temperature.</li> <li>Measured at 20MHz of bandwidth by using a 12" twisted pair-wire terminated with a 0.1 uF &amp; 47uF parallel capacitor.</li> </ol>			

■ **Mechanical Specification**      Unit:mm

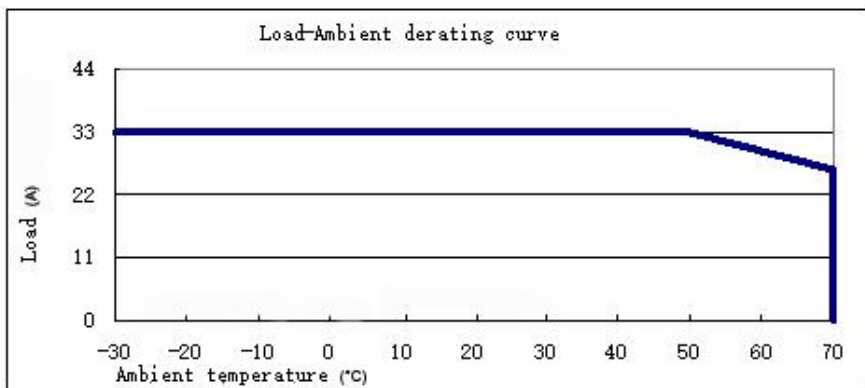
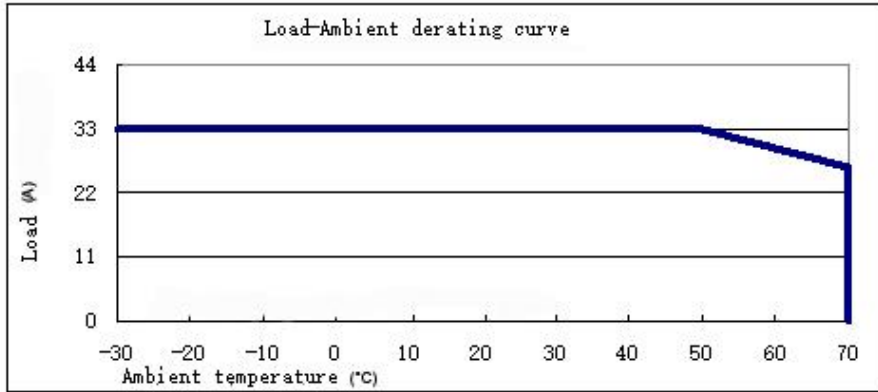


■ **Block Diagram**

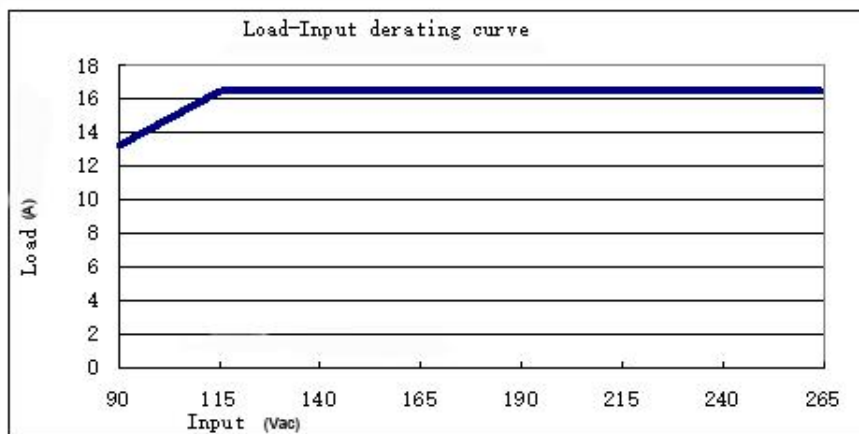


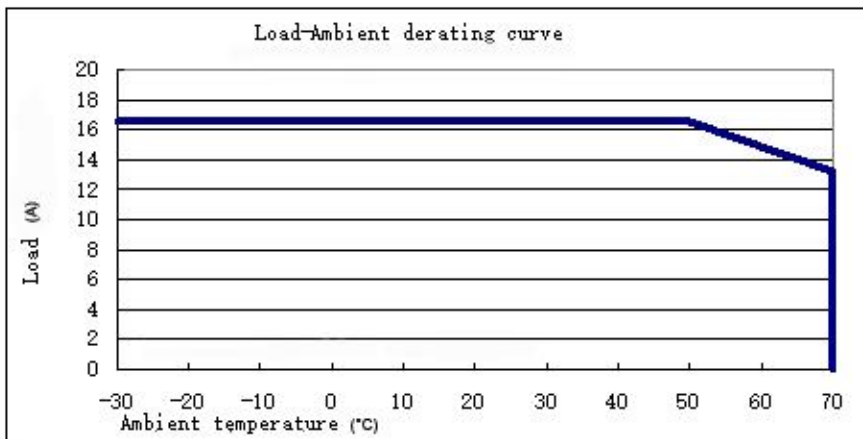
## ■ Derating Curve

### IT-EMC-800PFC-24:



### IT-EMC-800PFC-48:





All products, product specifications and data are subject to change without notice.