

75Watts Single Output

IT-EMC-75S Series



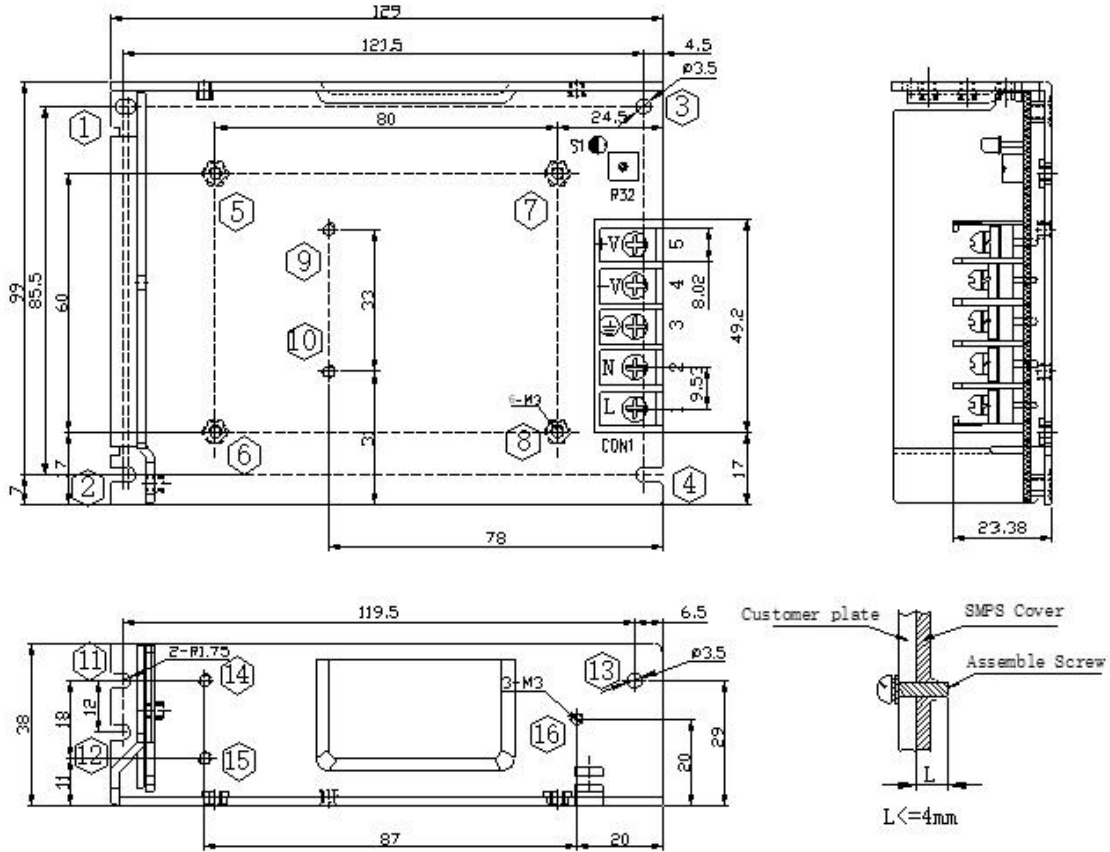
FEATURES:

- No Load power consumption < 0.5W
- Withstand 300VA surge input for 5 sec.
- High Efficiency, High reliability and long life
- Output protections: OLP/OVP/SCP
- Wide operating ambient temperature (-25°C~70°C)
- Operating altitude up to 5000m
- All using 105°C long life electrolytic capacitors.
- PCB soldering side with conformal coating
- 100% full load burn-in test
- 3 years warranty

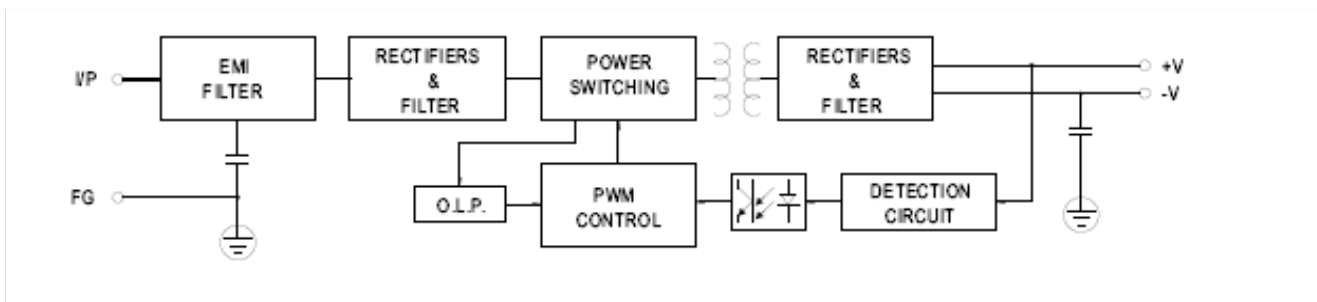
SPECIFICATION

MODEL	IT-EMC-75S		-5	-12	-15	-24	-48
OUTPUT	DC Output		5V	12V	15V	24V	48V
	Rated Current		12A	6A	5A	3.2A	1.6A
	Current Range Note 1		0~12A	0~6A	0~5A	0~3.2A	0~1.6A
	Ripple and Noise Note 2	0~70°C	<50mV	<80mV	<80mV	<80mV	<120mV
		-25~0°C	<80mV	<200mV	<200mV	<200mV	<240mV
	Voltage ADJ. Range		4.75~5.5V	11.4~13.2V	14.25~16.5V	22.8~26.4V	45.6~52.8V
	Voltage Accuracy		±1.0%				
	Line Regulation		±0.5%				
	Load Regulation		±1.0%				
	Set-up Time		≤1S(230Vac input, Full load)				
	Hold up Time		≥20mS(230Vac input, Full load)				
	Temperature Coefficient		±0.03%/°C				
Overshoot and Undershoot		<5.0%					
INPUT	Voltage Range		90Vac~264Vac				
	Frequency Range		47Hz~63Hz				
	Efficiency (Typical)		79%	84%	86%	86.5%	88%
	AC Current (max.)		<2.5A				
	Inrush Current (Typical)		<60A@230Vac Cold start				
	Leakage Current		Input—output:<0.25mA		Input—PG:<3.5mA		(264Vac input, 63Hz)
PROTECTION	Over Load	12.6~18A	6.3~9A	5.25~7.5A	3.36~4.8A	1.7~2.43A	
		Protection type: 5V, hiccup mode; others, constant power, Auto recovery					
	Over Voltage	5.5~7.5V	13.2~18V	16.5~22.5V	26.4~36V	52.8~72V	
		Protection type: constant voltage, auto recovery					
Short Circuit		Long-term mode, auto recovery					
ENVIRONMENT	Operating amb. Temp. &		-25°C~70°C; 20%~90%RH No condensing((refer to the derating curve)				
	Storage Temp. & Hum.		-40°C~85°C; 10%~95%RH No condensing				
SAFETY & EMC Note 3	Safety Standards		UL60950-1; EN60950-1: 2006				
	Withstand Voltage		Primary-Secondary: 3.0KVac/ 10mA		.Primary-PG:1.5KVac/ 10mA.		
	Isolation Resistance		100M ohms				
	EMI Conduction& Radiation		Compliance to EN55022 Class B / FCC Part15 B				
	Harmonic Current		Compliance to EN61000-3-2, Class A				
	EMS Immunity		Compliance to EN61000-4-2,3,4,5,6,8,11;				
OTHERS	MTBF (MIL-HDBK-217F)		More than 200,000Hrs (25°C, Full load)				
	Dimension (L*W*H)		129x98x38mm				
	Packing		30PCS/CTN, 14.2KGS, 0.044CBM				
	Cooling method		Cooling by free air convection				
NOTE	1. All parameters NOT specially mentioned are measured at rated input, rated load and 25°C of ambient temperature. 2. Measured at 20MHz of bandwidth by using a 12" twisted pair-wire terminated with a 0.1 uF & 47uF parallel capacitor.						

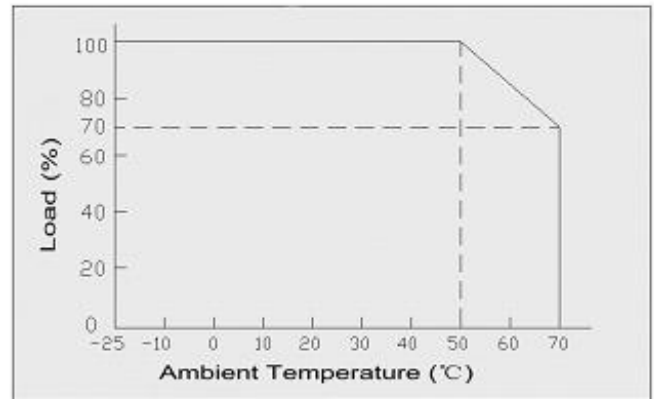
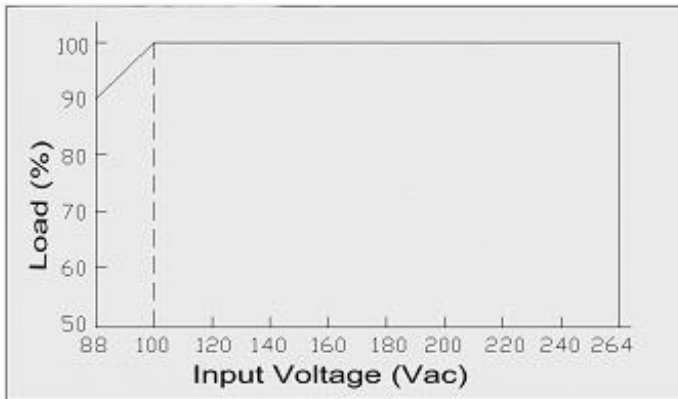
■ **Mechanical Specification** Unit:mm



■ **Block Diagram**



■ Derating Curve



All products, product specifications and data are subject to change without notice.