

200 Watts Single Output with active PFC

IT-EMC-200PFC Series



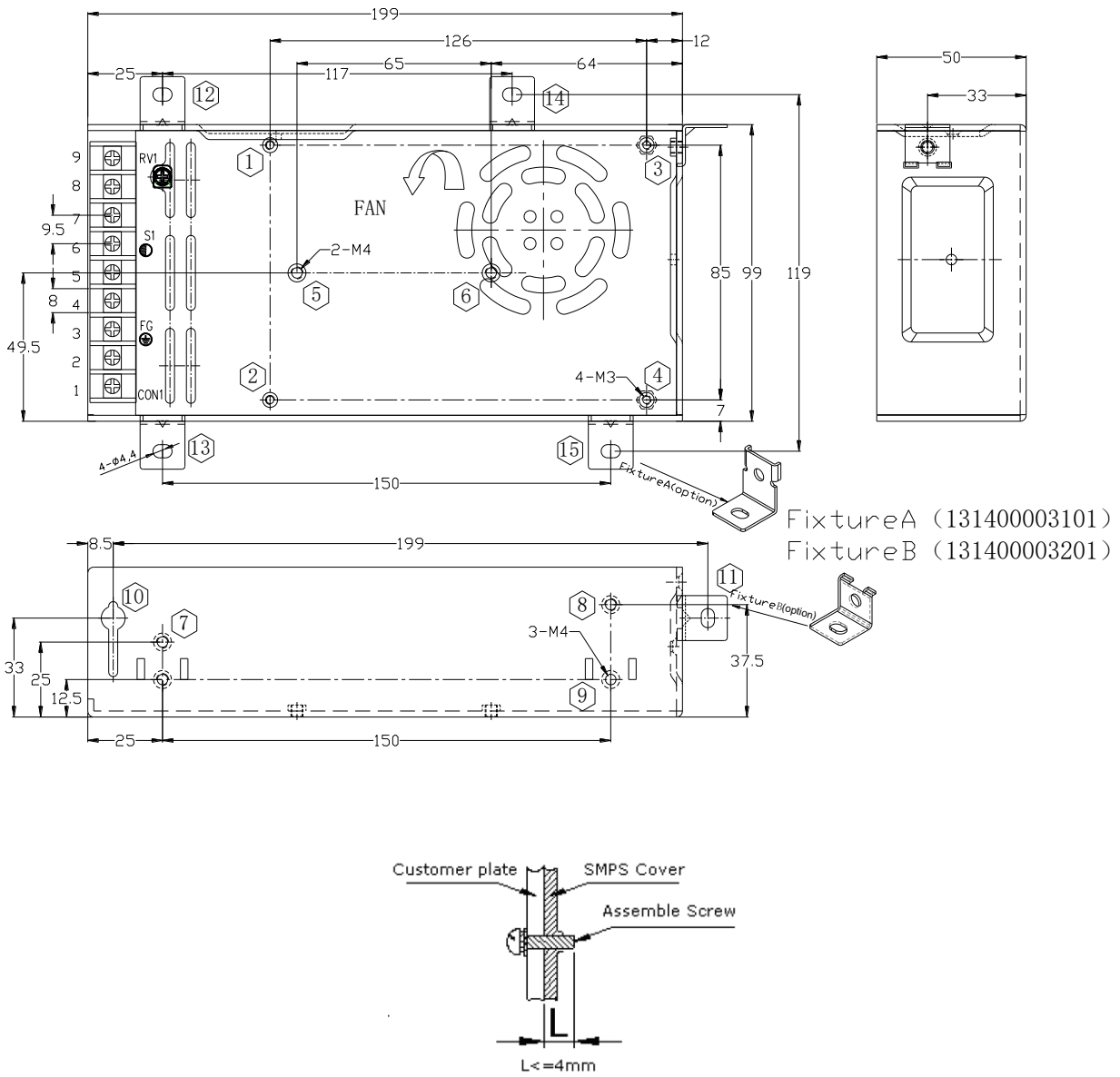
FEATURES:

- Universal AC input (90~264Vac)
- Built-in active PFC, PF>0.95
- Withstand 300Vac surge input for 5 sec
- High efficiency, long life and high reliability
- Output protection: SCP/OLP/OPP
- Wide operating ambient temperature (-20~65°C)
- Operating altitude up to 5000m
- PCB both sides with conformal coating
- All using 105 °C long life electrolytic capacitor
- 100% full load burn-in test
- Built-in cooling fan speed control
- 3 years warranty

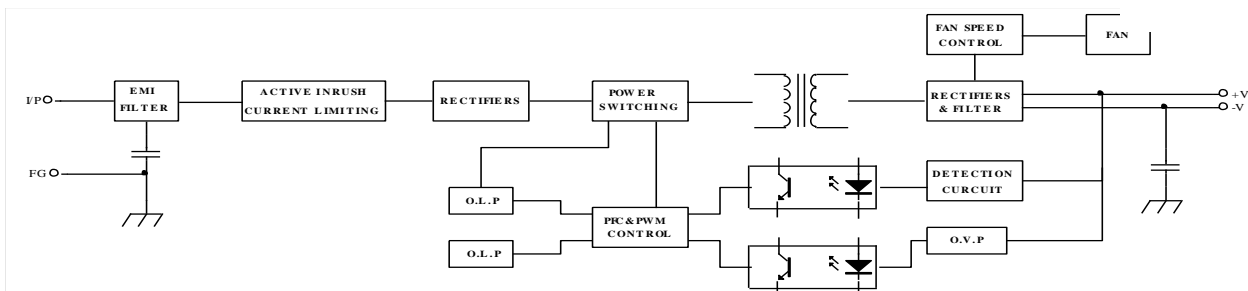
SPECIFICATION

MODEL		IT-EMC-200PFC	-12II	-24II	-36II	-48II
OUTPUT	DC Output		12V	24V	36V	48V
	Rated Current		16.7A	8.4A	5.6A	4.2A
	Current Range	Note 1	0~16.7A	0~8.4A	0~5.6A	0~4.2A
	Ripple and Noise	0~65C	≤150mV	≤150mV	≤200mV	≤150mV
		Note 2 -20~0C	≤200mV	≤200mV	≤200mV	≤200mV
	Voltage ADJ. Range		9~15V	20~27V	32~40V	40~53V
	Voltage Accuracy		±2.0%	±1.0%		
	Line Regulation		±0.5%			
	Load Regulation		±2.0%	±1.0%		
	Set-up Time		≤2S (230Vac input, Full load)		≤4S (120Vac input, Full load)	
	Hold up Time		≥12mS (230Vac input, Full load)			
	Temperature Coefficient		±0.03%/°C			
INPUT	Voltage Range	90Vac~264Vac, 120Vdc~370Vdc				
	Frequency Range	47Hz~63Hz				
	Power Factor(Typical)	PF>0.98/115VAC		PF>0.95/230VAC		
	Efficiency (Typical) @ 230Vac	≥84%	≥87%	≥86.5%	≥87%	
	AC Current (max.)	< 3.5A				
	Inrush Current (Typical)	<50A@220Vac <30A@110Vac Cold start				
	Leakage Current	Input—Output:<0.25mA Input—PG:<3.5mA				
PROTECTION	Over Load	18~30A	10~15A	5.88~8.8A	5~7.56A	
		Protection type: Hiccup mode, auto recovery				
	Over power	216~360W	240~360W	210~320W	240~363W	
		Protection type: Hiccup mode, auto recovery				
Short Circuit	Long-term mode, auto recovery					
ENVIRONMENT	Operating amb. Temp. & Hum.	-20°C~65°C; 20%~90%RH No condensing(refer to the derating curve)				
	Vibration	10 ~ 150Hz, 2G 10min./1cycle, period for60min. each along X,Y, Z axes				
	Storage Temp. & Hum.	-40°C~85°C; 10%~95%RH No condensing				
SAFETY & EMC (Note 3)	Safety Standards	UL60950-1 2 nd Ed; IEC 60950-1:2005(2 nd Ed) ;EN60950-1:2006				
	Withstand Voltage	Primary-Secondary: 3.0KVac; ≤10mA .Primary-PG: 1.5KVac; ≤10mA.				
	Isolation Resistance	10M ohms				
	EMI Conduction&Radiation	Compliance to EN55022 EN55024 FCC PART 15 Class B				
	EMS Immunity	Compliance to EN61000-4-2,3,4,5,6,8,11;				
OTHERS	MTBF (MIL-HDBK-217F)	More than 200,000Hrs (25°C, Full load)				
	Dimension (L*W*H)	199x99x50mm				
	Packing	12PCS/CTN, 11.4KGS, 0.04CBM				
	Cooling method	Cooling by forced air (built-in DC fan)				
NOTE	1. All parameters NOT specially mentioned are measured at rated input, rated load and 25°C of ambient temperature. 2. Measured at 20MHz of bandwidth by using a 12" twisted pair-wire terminated with a 0.1 uF & 47uF parallel capacitor.					

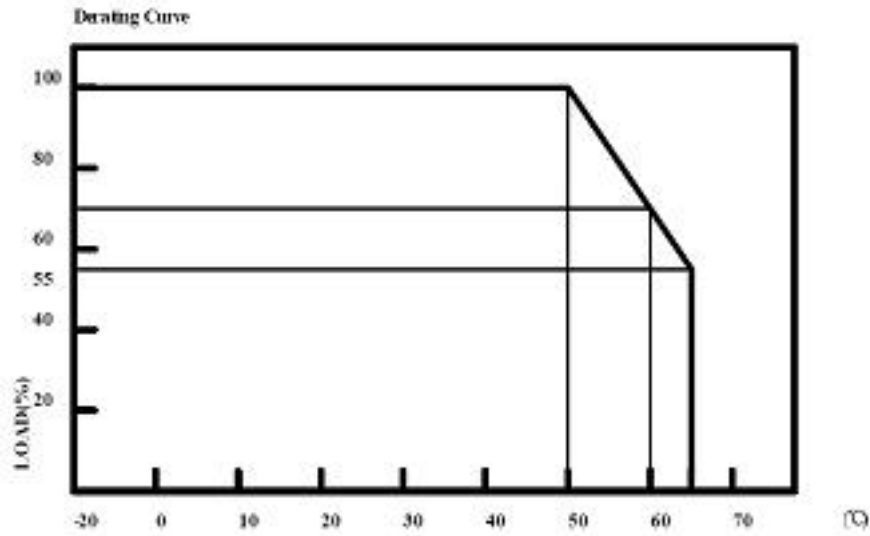
■ Mechanical Specification Unit:mm



■ Block Diagram



■ Derating Curve



All products, product specifications and data are subject to change without notice.