

75Watts Single Output Industrial DIN Rail Power Supply

IT-DIN-75S Series



FEATURES

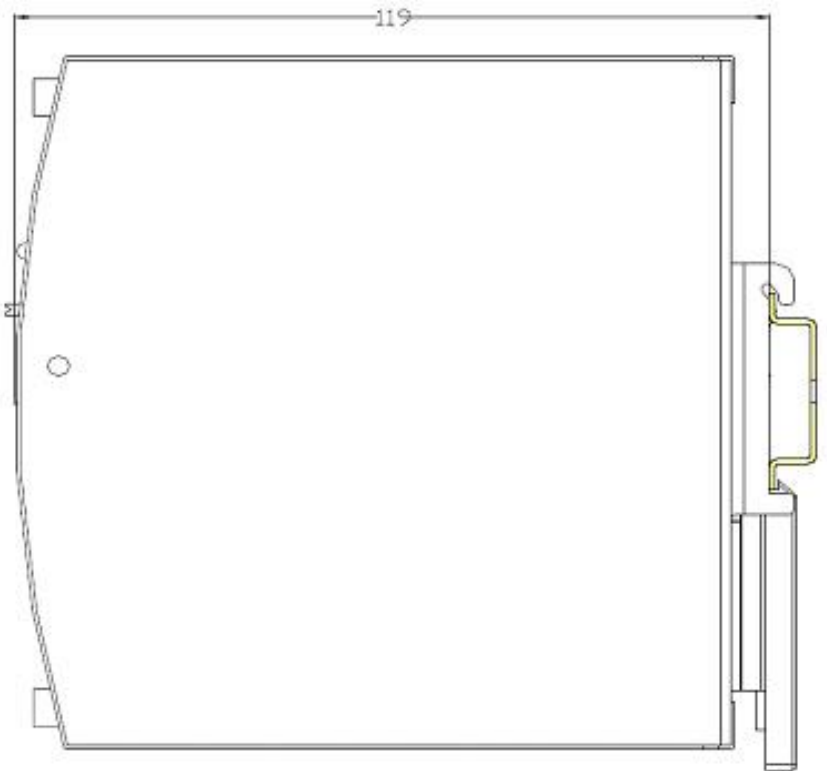
- Universal AC input range(90~264Vac)
- High efficiency up to 88%
- Built-in current limiting circuit
- Output protections: OVP/OLP/SCP/OTP
- Wide operating ambient temp (-20°C~70°C)
- Can be installed on TS-35/7.5 or TS-35/15
- 100% full load burn-in test
- Suitable for critical applications
- Ultra-slim,45mm width
- 2 years warranty

SPECIFICATION

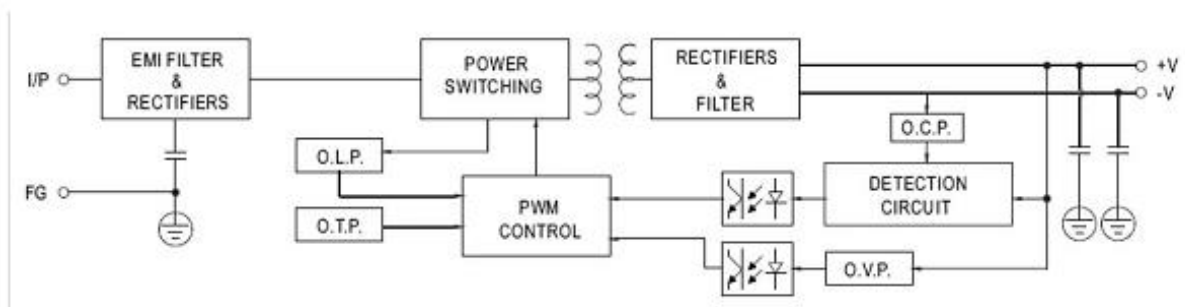
MODEL		IT-DIN-75S-24	
OUTPUT	DC Output	24V	
	Rated Current	3.2A	
	Current Range Note 1	0~3.2A	
	Ripple and Noise	0~70°C	≤120mV
		Note 2 -20°C	≤240mV
	Voltage ADJ. Range	24~28V	
	Voltage Accuracy	±1.0%	
	Line Regulation	±0.5%	
	Load Regulation	±1.0%	
	Set-up Time	<1.2S@230Vac; <2.5mS@115Vac	
	Hold up Time	≥10mS@115Vac; ≥20mS@230Vac Full load	
	Temperature Coefficient	±0.03%/°C	
	Overshoot and Undershoot	<5.0%	
INPUT	Voltage Range	90Vac~264Vac	
	Frequency Range	47Hz~63Hz	
	Efficiency (Typical)	88%	
	AC Current (max.)	<1.4A/115VAC; <0.7A/230VAC	
	Inrush Current (Typical)	20A/115Vac ; 35A/230Vac Cold start	
	Leakage Current	Input—output:<0.25mA Input—PG:<3.5mA	
	Over Load	110%~150% of rated current, constant current	
PROTECTION	Over voltage	29~33V, shut down, re-power on.	
	Over temperature	100±5°C, detect on heat sink of power transistor; shut down O/P, re-power on.	
	Short Circuit	Long-term mode, auto recovery	
	Operating amb. Temp. & Hum.	-20°C~70°C; 20%~90%RH No condensing	
ENVIRONMENT	Storage Temp. & Hum.	-40°C~85°C; 5%~95%RH No condensing	
	Safety Standards	meet UL508, UL60950, EN60950	
SAFETY & EMC Note 3	Withstand Voltage	Primary-Secondary: 3.0KVac; ≤10mA. Primary-PG:2KVac; ≤10mA.	
	Isolation Resistance	≥100M ohms	
	EMC Emission	Compliance to EN55022, EN55024, FCC PART 15 Class B (according to POWERLTD test condition)	
	Harmonic Current	Compliance to EN61000-3-2, CLASS A	
	EMC Immunity	Compliance to EN61000-4-2,3,4,5,6,11; heavy industry level	
MTBF (MIL-HDBK-217F)	More than 500,000Hrs (25°C, Full load)		
OTHERS	Dimension (W*H*D)	45*124*119mm	
	Packing	24pcs/CTN, 15.0Kg, 0.04cbm	
	Cooling method	Cooling by free air convection	
NOTE	<p>1. All parameters NOT specially mentioned are measured at rated input, rated load and 25°C of ambient temperature.</p> <p>2. Measured at 20MHz of bandwidth by using a 12" twisted pair-wire terminated with a 0.1 uF & 10uF parallel capacitor.</p>		

Mechanical Specification

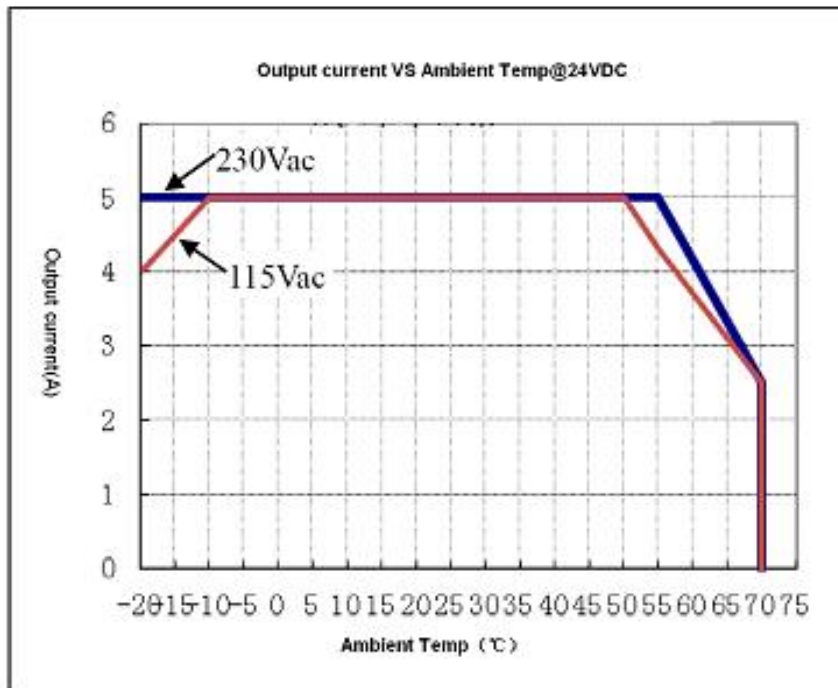
Unit: mm



■ Block Diagram



■ Derating Curve



Disclaimer

All products, product specifications and data are subject to change without notice.