

## IT-SS09D-IR

With 9 high power Infrared LEDs for a total power consumption of 24W, beam angle 15° to 120°, beam distance 120m to 20m, the IT-SS09D-IR is an IR Illuminator with a high service of life.

- Wavelength 740nm/850nm/940nm.
- 30,000 hours lifetime LEDs.
- Extended working temperature range -40 to 50°C.
- 1-3 years warranty.



## Product Family

The IT-SS09D-IR is part of the high-power Professional IR Illuminators series that is the top quality Infrared LED light source solution for night-time illumination, providing high-power infrared light for CCTV and IP cameras to enhance night-time visual performance.

## Professional Design

- Two stages of constant current circuit avoid LEDs away from instantly impulse impact when started.
- Low failure rate of products is guaranteed by the professional in-house optimized independent circuit technology, which has been widely used in our LED illuminators for more than 5 years.
- Wide edge of silica gel circle and water stop line ensure IP66 waterproof and dustproof level.
- Twice direct cooling heat sink processing enable to increase the cooling coefficient and prolong the service life of the product.
- Patent design hexagonal spherical light sensor more accurately responses ambient brightness and improves accuracy of automatic light control.
- Flexible angle adjustable bracket can extend the illuminance range widely.
- Robust cooling fin design permits the infrared illuminator to operate from -40°C to 50°C.
- Super energy saving circuit with low electrical power consumption.

## Qualified Materials

- Super power dot-matrix infrared light LED with strong light effect, long service life and low light decline.
- High efficient twice optical lens processing achieves 90% of the luminous efficiency.
- The housing adopts high thermal conductivity aluminum to enhance heat dispersion property.
- Stainless steel bracket and screw ensure low maintenance.

## Wide Range of Applications

Recommended for security at ports, railway systems, border, prisons, traffic LRP/ANPR, ITS, as well as large public places surveillance.

## Basic Functions

- *To improve performance of the weak light camera, thereby enhancing the picture effects at night.*
- *Conventional night monitoring.*
- *The function of video analysis at night.*
- *Reduce signal noise and other image distortion.*
- *Reduce the network bandwidth requirements.*
- *Energy saving by power factor correction.*
- *Reduce the equipment cost.*
- *Lower cost of installing and wiring.*

## Technical Specifications

**LED type:** 9 pieces 2W dot-matrix IR LEDs

**Wavelength:** 740nm/850nm/940nm

**Voltage:** AC85-265V/DC12V/AC24V

**Power consumption:** 24W (850nm)

**Day & Night switch:** Auto (build in photocell)

**Cable length:** 1.3m

**Mounting:** Wall mounting "U" bracket

**Temperature:** -40°C to 50°C

**Grade of protection:** IP66

**Color:** Beige

**Housing:** Aluminum

**Panel:** High light transmittance toughened glass

**Net weight:** 1.4 kg

**Gross weight:** 1.7 kg

**Dimensions:** 130\*105\*85mm

**Packing dimensions:** 190\*180\*135mm

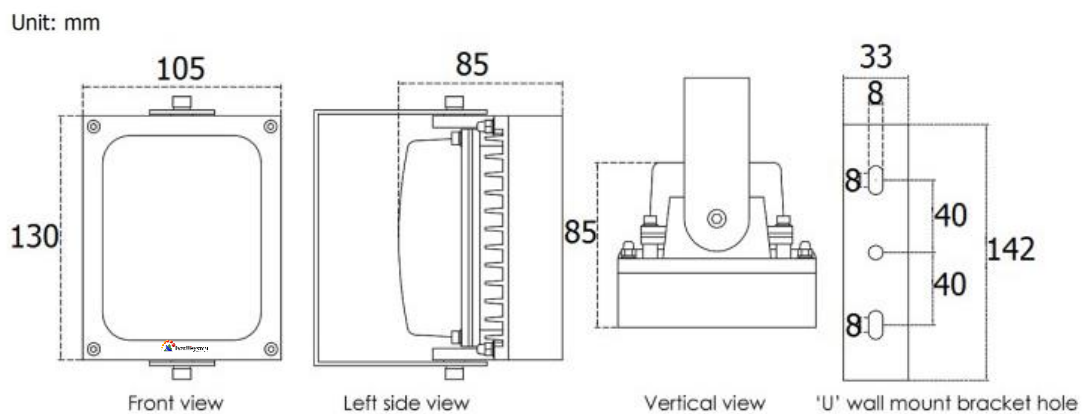
## Models for Selection

Model	Beam angle	Viewing IR distance
IT-SS09D-15-IR	15°	120m
IT-SS09D-30-IR	30°	80m
IT-SS09D-45-IR	45°	55m
IT-SS09D-60-IR	60°	40m
IT-SS09D-90-IR	90°	30m
IT-SS09D-120-IR	120°	20m

*\*Viewing IR distance is tested by Sony 1/3 CCD Camera and 850nm IR LEDs.*

To achieve the distance needed, please pay attention to your camera specifications and lens before purchase. It is normal phenomenon that distance may vary due to different cameras and lens.

## Mechanical Drawings



## Viewing Picture at Night



With IR



Without IR