

## IT-SSA3POE-IR

With 3 high power Infrared LEDs for a total power consumption of 5W, beam angle 15° to 120°, beam distance 60m to 8m, the IT-SSA3POE-IR is an IR Illuminator with a high service of life.

- POE (Power over Ethernet) IEEE 802.3af powered.
- Wavelength 740nm/850nm/940nm.
- 50,000 hours lifetime LEDs.
- Extended working temperature range -30 to 50°C.
- 1-3 years warranty.



## Product Family

The IT-SSA3POE-IR is part of the high-power Compact POE IR Illuminators series that is the quality Infrared LED light source solution for night-time illumination, providing high-power infrared light for CCTV and IP cameras to enhance night-time visual performance.

## Product Features

- Precise secondary optical technology.
- The latest LED technology assures outstanding performance with excellent luminous efficiency and more uniform illumination.
- Independent innovation of high efficiency power drive schemes.
- Low failure rate of products is guaranteed by the professional in-house optimized independent circuit technology, which has been widely used in the illuminators for more than 5 years.
- High thermal conductivity aluminum.
- Energy saving technology.
- All illuminators has energy saving circuit with low electrical power consumption.
- Thinner and lighter design.
- Housing designed for simple installation and easy operation to reduce construction difficulty.

## Basic Functions

- *To improve performance of the weak light camera, thereby enhancing the picture effects at night.*
- *Conventional night monitoring.*
- *The function of video analysis at night.*
- *Reduce signal noise and other image distortion.*
- *Reduce the network bandwidth requirements.*
- *Energy saving by power factor correction.*
- *Reduce the equipment cost.*
- *Lower cost of installing and wiring.*

## Technical Specifications

**LED type:** 3 pieces high power IR LEDs

**Wavelength:** 740nm/850nm/940nm

**Beam angle:** 15° to 120°

**Beam distance:** 60m to 8m

**Bracket:** Wall mount bracket

**Working voltage:** POE IEEE 802.3af

**Power consumption:** 5W

**Day & Night switch:** Automatic

**Working temperatures:** -30 to 50°C

**Protection level:** IP66

**Color:** Silver/black color options

**Panel:** Tempered glass panel

**Housing:** Aluminum die-casting housing

**Net weight:** 0.35 kg

**Gross weight:** 0.4 kg

**Packing dimensions:** 130\*110\*100mm

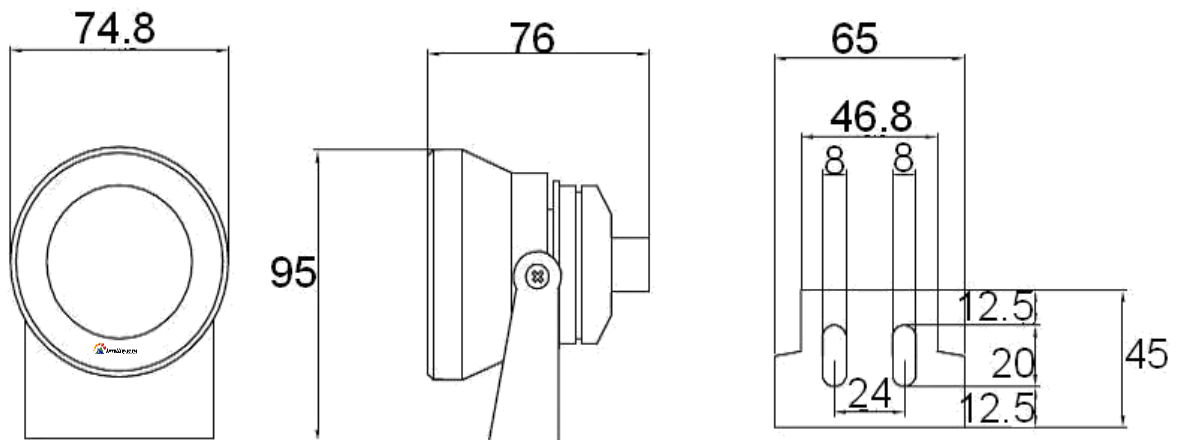
## Models for Selection

Model	Beam angle	Viewing IR distance
IT-SSA3POE-IR-15	15°	60m
IT-SSA3POE-IR-30	30°	40m
IT-SSA3POE-IR-45	45°	30m
IT-SSA3POE-IR-60	60°	16m
IT-SSA3POE-IR-90	90°	11m
IT-SSA3POE-IR-120	120°	8m

*\*Viewing IR distance is tested by Sony 1/3 CCD Camera and 850nm IR LEDs.*

To achieve the distance needed, please pay attention to your camera specifications and lens before purchase. It is normal phenomenon that distance may vary due to different cameras and lens.

## Mechanical Drawings



## Viewing Picture at Night



With IR



Without IR