

IT-SS200LM-IRL

✓ *Array Zoom Laser Light*



A-Type: 121*89*92mm

Features

- Adopt with auto surface emitting laser chip (VCSEL), zero light attenuation
- Wide range of working temperature, good adaptability to the environment
- Surface emitting chip offers safer operation
- Evenly spot provided by array lighting
- Photoelectric conversion efficiency up to 40%
- Under 50°C working temperature, photoelectric conversion efficiency up to 35%
- Auto zooming, 240 or step-less optical zoom
- 1000M face recognition, 2000M object recognition
- Reliable with life span more than 50000hrs
- Small in size, easy to integrate
- RS232, RS485, TTL ports optional
- Coaxial lens focus, sync. with camera
- Homogenized light spot with no noise
- Power lose memories
- CE certified
- Preset position
- Low heating, high efficiency



B-Type: 138*86*68mm

Applications

- Highway monitoring system
- PTZ monitoring system
- Ports
- Forest Fire Prevention
- Infrared imaging
- Military application

Description

This laser light is using high power IR laser chip and adopt with innovating homogenization laser technology. With its unique photoelectric isolation design, the laser light is reliable and safety. It's easy integrated via standard interface parameters, power supply and control signals. This laser light has independent intellectual property rights of the optical homogenization technology, the light spot is more uniform compared to similar products in the industry and more stable performance, lower heating effect. It's an ideal IR light sources for security and surveillance systems such as speed dome and PTZ applications.

Technical Specification

Parameter	Specifications
Model	IT-SS200LM-IRL
Laser Mode	Multi-mode
Wavelength	808/975±10nm (optional)
Optical Power	6W
Beam Shape	Round
IR Distance	2000m
Beam Spot Uniformity	Homogenized light spot with no noise
Illumination Angle	1-52° (adjustable)
Operating Voltage	DC 12V
Operating Current	3A
Operation Mode	Continuous
Service Life	50000h
Operating Temperature	-40- +85°C
Storage Temperature	-40- +85°C

Power Consumption	<36W
Dimension (mm)	A: L121xW89xH92 B: L138xW86xH68
Material	Aluminum alloy
Color	Black
Laser Protection Class	Class 2
Control wire	Refer to interface definition
Manually forced switch	Refer to interface definition
Power wire +	Refer to interface definition
Power wire -	Refer to interface definition
Communication Interface	RS232/RS485/TTL (optional)
Communication Protocol	PELCO-D/VISCA
Baud ate	9600 (set-able)
Surface treatment	Sand blasting, black anodic oxidation surface
Total weight	800g
Cooling method	Forced-air cooling

Interface Definition:

5PIN-1: power+

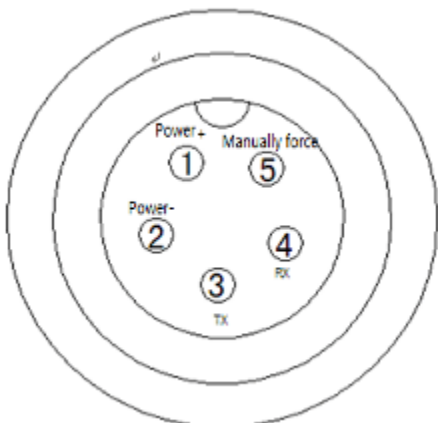
5PIN-2: power-/manually force-

5PIN-3: 485A/TX

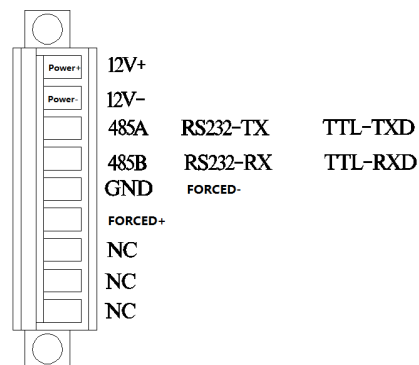
5PIN-4: 485B/RX

5PIN-5: manually forced+

A-Type:

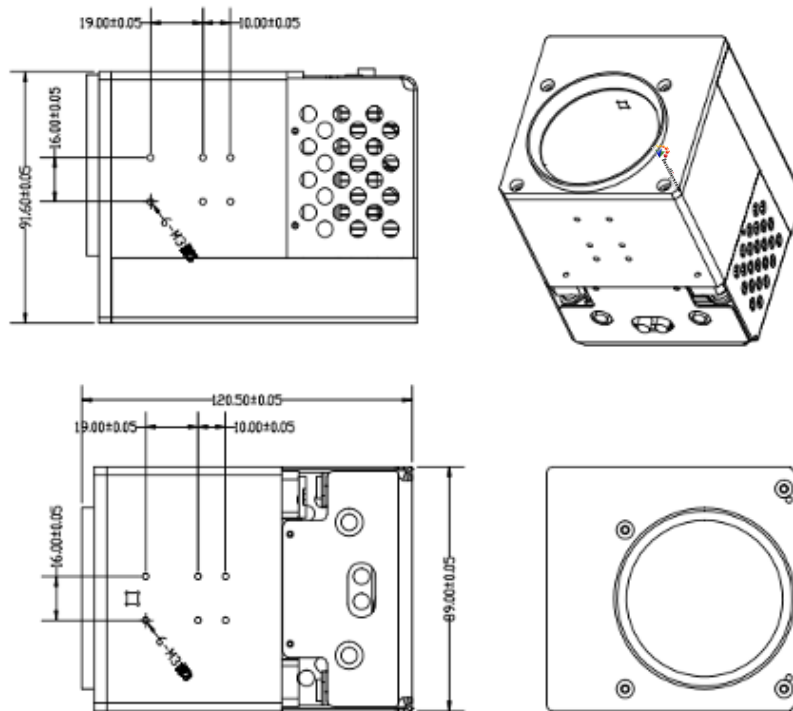


B-Type:

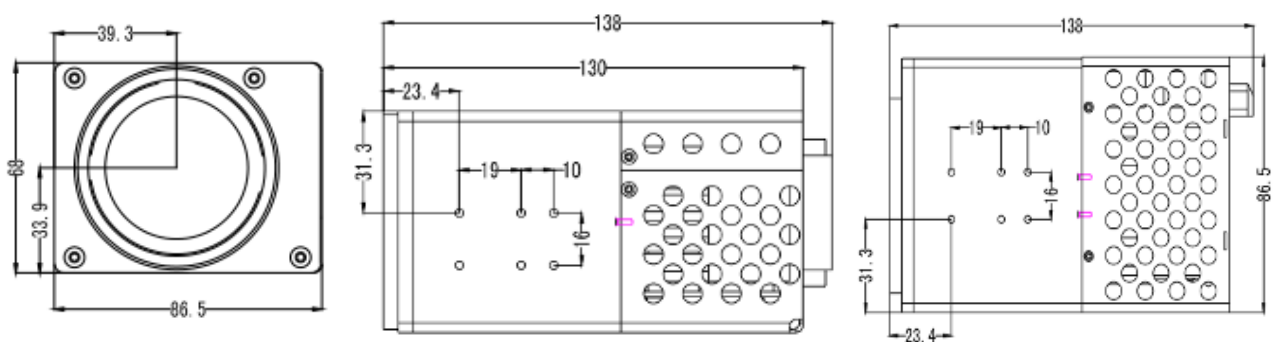


Installing Structure Drawing:

A-Type:



B-Type:



Laser Safety Instruction

According to GB7247.1-2012 or IEC60825-1:2007 standard, the safety level of this product is Class 4.

Application Photos



All products, product specifications and data are subject to change without notice.