

IT-SHZ33POE-IR

With 10 high power LEDs for a total power consumption of 20W, beam angle 15° to 90°, beam distance 160m to 50m, the IT-SHZ33POE-IR is a high service of life POE Camera Housing with built-in IR Illuminator.



- Wavelength 850nm.
- POE (Power over Ethernet).
- 30.000 hours lifetime LEDs.
- Extended working temperature range -40 to 60°C.
- 1-2 years warranty.

Product Family

The IT-SHZ33POE-IR is part of the high-power Camera Housing POE IR Illuminators series that is the quality LED light source solution for night-time illumination, providing high-power infrared light for CCTV and IP cameras to enhance night-time visual performance.

Product Features

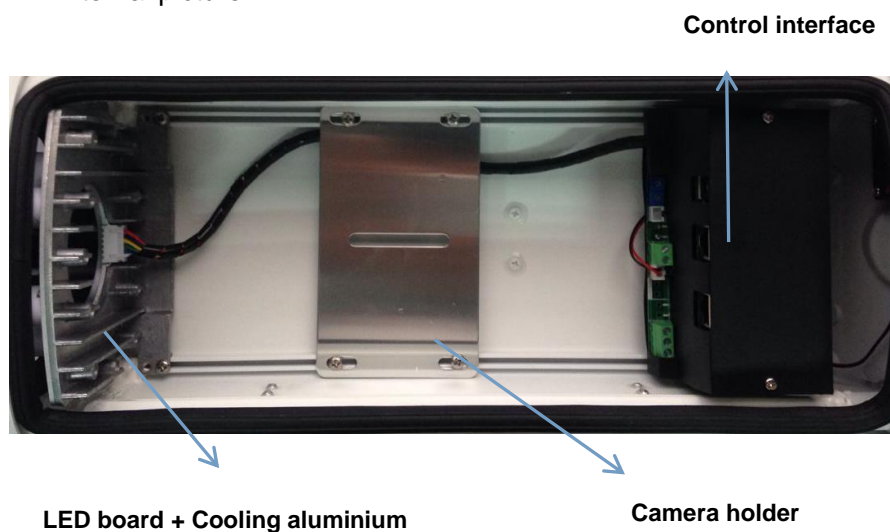
- Smart uniform irradiation solution improves image quality & monitoring effect.
- Leading IR technology provides high efficiency and long life span of LEDs.
- POE power to IR LEDs, heater, blower.
- Accurate constant circuit drive develops excellent performance of product.
- Full light for night vision camera.
- Indoor/outdoor use, all-weather use.
- High integrated solution for easy installation and saving cost.

Maintenance

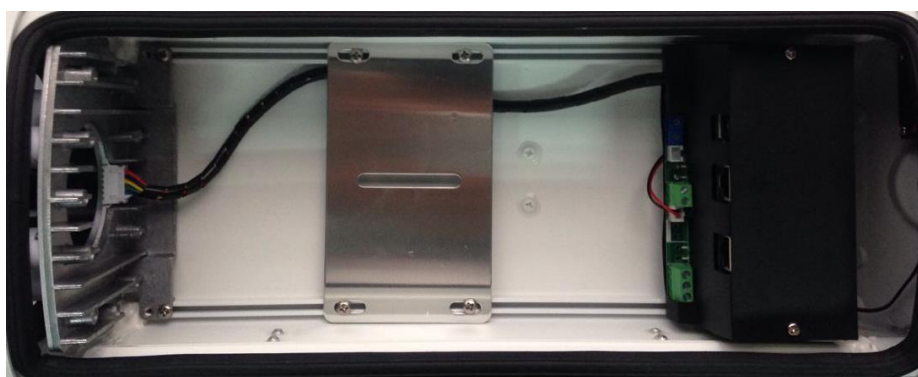
1. Cut off power before maintenance.
2. Clean the glass regular to get better transmission of light.
3. Clean the housing to get well heat dissipation performance.
4. Clean by dry dishcloth, don't use water or strong corrosive solution.

Camera Installation and Functions

1. Internal picture



2. Dimensions of internal space



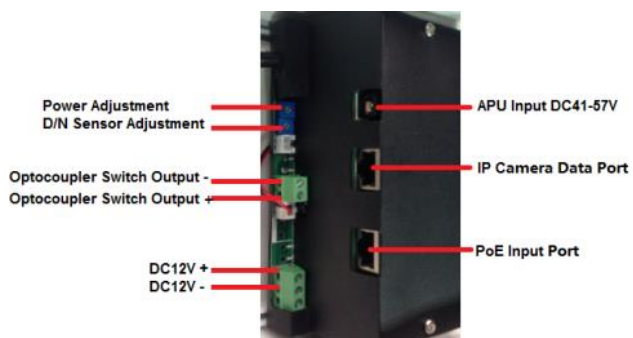
Lens size: \varnothing 57mm

Length: 30mm (\varnothing 57mm) +200mm

Width: 90mm

Height: 16mm (camera holder to bottom of lens) + 58mm (lens) + 16mm (top of lens to top of led board)

3. Control interface



Camera Housing Installation

- The product includes fragile parts. Take care on every transportation steps and hold carefully, do not stress!
- Ensure operating voltage and current are proper before installation.
- Install the product on the holder by fixing the mount hold with screws directly.
- Adjust the angle of product by loosening screws on bracket.
- Link power wires tightly and make it waterproof to avoid electric shock.
- Connect with extra power wire should make it waterproof at the same.
- The outlet of power wire should be installed downward.
- Don't use against any fire precaution rules during operation.
- Installation requested professional operation and qualified personnel.
- Connect our sales person if you need additional parts for installation.

Technical Specifications

LED type: 10 pieces High Power IR LEDs

Wavelength: 850nm

Beam angle: 15° - 90°

IR distance: 160m - 50m

Day & Night switch: CDS 10-20 lux \pm 10% (adjustable)

Input voltage: IEEE 802.3at PoE

Output voltage: DC12V 800mA (camera)

Power consumption: 20W

Panel: Tempered glass panel

Housing: Aluminum die casting housing

Bracket: Bottom mount bracket

Working temperature: -40°C to +60°C (-50°C to +60°C with heater)

Cooling: Air cooling internal circulation

Blower: Included

Protection level: IP66

Color: Beige

Net weight: 3.3 kg

Gross weight: 3.85 kg

Packing dimensions: 482*225*170mm

Bracket (optional)

Material: Aluminum Alloy

Size: 83*123.9*304mm

Net weight: 0.45 kg

Gross weight: 0.6 kg



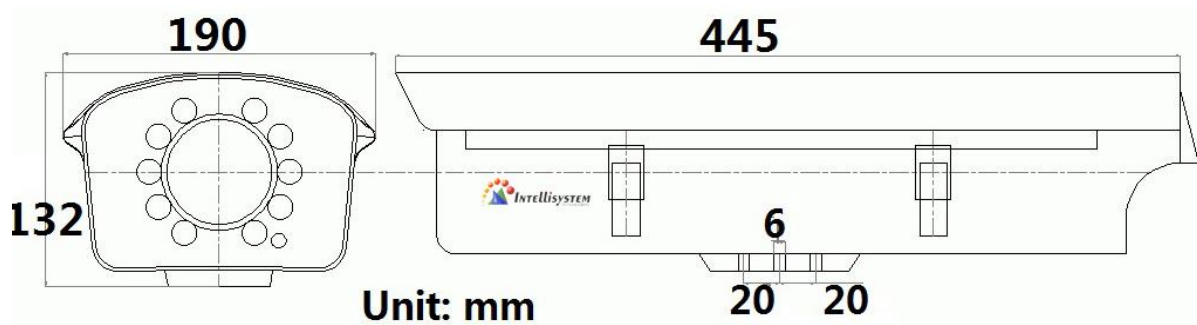
Models for Selection

Model	Beam angle	Viewing IR distance
IT-SHZ33POE-15-IR	15°	160m
IT-SHZ33POE-30-IR	30°	120m
IT-SHZ33POE-45-IR	45°	90m
IT-SHZ33POE-60-IR	60°	80m
IT-SHZ33POE-90-IR	90°	50m

**Viewing IR distance is tested by Sony 1/3 CCD Camera and 850nm IR LEDs.*

To achieve the distance needed, please pay attention to your camera specifications and lens before purchase. It is normal phenomenon that distance may vary due to different cameras and lens.

Mechanical Drawings



Viewing Picture at Night



With IR



Without IR