

IT-SSG30A-WL

With 30 high power LEDs for a total power consumption of 36W, beam angle 30° to 60°, beam distance 130m to 70m, the IT-SSG30A-WL is a White Light Illuminator with a high service of life.

- Luminous flux 3600lm.
- Color temperature 5000K-6500K.
- 50,000 hours lifetime LEDs.
- Extended working temperature range -30 to 50°C.
- 1-2 years warranty.

WHITE
LIGHT LAMPHI-POWER
LEDENERGY
SAVINGAUTO D/N
CONTROL

Product Family

The IT-SSG30A-WL is part of the high-power Compound-Eye White Light Illuminators series that is the quality LED light source solution for night-time illumination, providing high-power light for CCTV and IP cameras to enhance night-time visual performance with colourful images.

Product Features

- Outstanding illumination performance.
- Auto Day & Night switch, customize to be synchronized with camera.
- To improve performance of night vision camera and enhance image quality.
- IP66 waterproof, indoor/outdoor use.
- Low temperature operate.
- Energy saving technology.

Wide Applications

Parking lot, Residence Community, Building, Road, Garden, Field.

Technical Specifications

LED type: 30 pieces high power white light LEDs

Luminous flux: 3600lm

Color temperature: 5000K-6500K

Beam angle: 30 to 60°

Beam distance: 130 to 70m

Bracket: Wall mount bracket

Working voltage: 85-265V AC

Power consumption: 36W

Day/night switch: Automatic

Working temperature: -30 to 50°C (-50 to 50°C with heater)

Protection level: IP66

Color: Beige

Panel: Tempered glass panel

Housing: Aluminum die-casting housing

Net weight: 1.8 kg

Gross weight: 2.1 kg

Dimensions: 221*172*90mm

Packing dimensions: 250*200*120mm

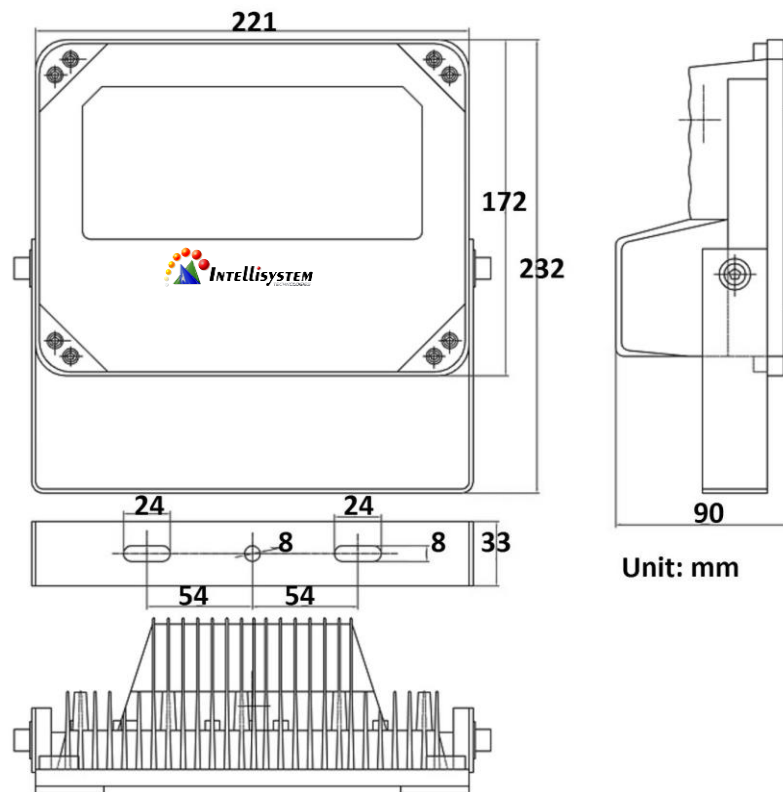
Models for Selection

Model	Beam angle	Viewing distance
IT-SSG30A-WL-30	30°	130m
IT-SSG30A-WL-45	45°	80m
IT-SSG30A-WL-60	60°	70m

**Viewing distance is tested by Sony 1/3 CCD Camera with 0.01 LUX.*

To achieve the distance needed, please pay attention to your camera specifications and lens before purchase. It is normal phenomenon that distance may vary due to different cameras and lens.

Mechanical Drawings



Viewing Picture at Night



With white light



Without white light