

IT-SSA2-WL

With 1 high power LED for a total power consumption of 3.6W, beam angle 15° to 120°, beam distance 10m to 0.5m, the IT-SSA2-WL is a White Light Illuminator with a high service of life.

- Luminous flux 120lm.
- Color temperature 3000-3500K/5500-6000K.
- 50,000 hours lifetime LED.
- Extended working temperature range -30 to 50°C.
- 1-3 years warranty.



Product Family

The IT-SSA2-WL is part of the high-power Compact White Light Illuminators series that is the quality LED light source solution for night-time illumination, providing high-power light for CCTV and IP cameras to enhance night-time visual performance with colorful images.

Product Features

- Precise secondary optical technology.
- The latest LED technology assures outstanding performance of LED with excellent luminous efficiency and more uniform illumination.
- Independent innovation of high efficiency power drive schemes.
- Low failure rate of products is guaranteed because of professional in-house optimized independent circuit technology widely used in our LED illuminators for more than 5 years.
- High thermal conductivity aluminum.
- Energy saving technology.
- All illuminators has energy saving circuit with low electrical power consumption.
- Thinner and lighter design.
- Housing designed for simple installation and easy operation to reduce construction difficulty.

Basic Functions

- *To improve performance of the weak light camera, thereby enhancing the picture effects at night.*
- *Conventional night monitoring.*
- *The function of video analysis at night.*
- *Reduce signal noise and other image distortion.*
- *Reduce the network bandwidth requirements.*
- *Energy saving by power factor correction.*
- *Reduce the equipment cost.*
- *Lower cost of installing and wiring.*
- *Indoor and outdoor use.*

Technical Specifications

LED type: 1 piece high power white light LED

Luminous flux: 120lm

Color temperature: 3000-3500K/5500-6000K

Beam angle: 15° to 120°

Beam distance: 10 to 0.5m

Bracket: Wall mount bracket

Working voltage: 12V DC 300mA

Power consumption: 3.6W

Day& Night switch: With/without CDS sensor

Working temperature: -30°C to 50°C

Protection level: IP66

Color: Black

Panel: Tempered glass panel

Housing: Aluminum die-casting housing

Net weight: 0.15 kg

Gross weight: 0.17 kg

Packing dimensions: 50*50*105mm

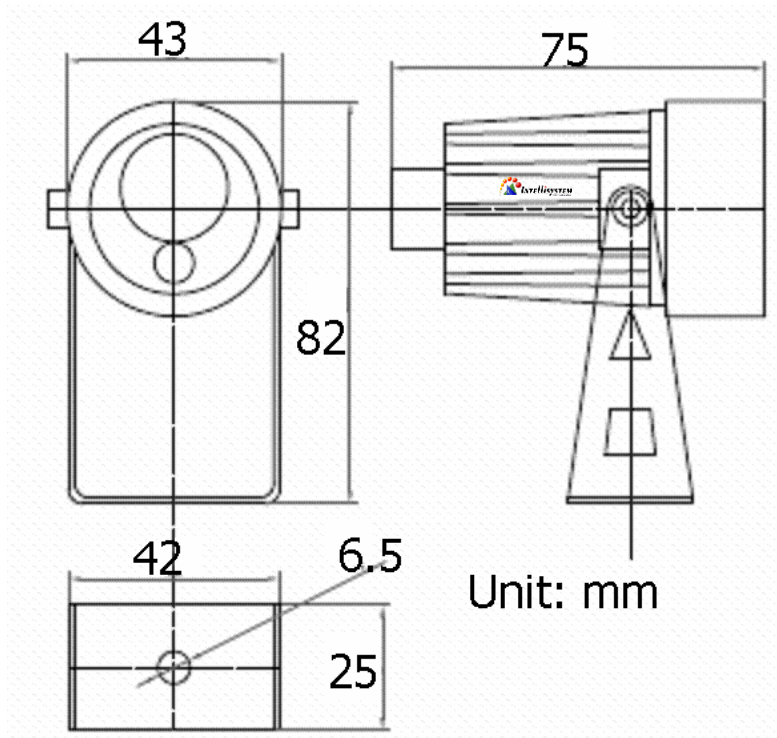
Models for Selection

Model	Beam angle	Viewing distance
IT-SSA2-WL-15-C-W	15°	10m
IT-SSA2-WL-30-C-W	30°	7m
IT-SSA2-WL-45-C-W	45°	5m
IT-SSA2-WL-60-C-W	60°	2m
IT-SSA2-WL-90-C-W	90°	1m
IT-SSA2-WL-120-C-W	120°	0.5m

**Viewing distance is tested by Sony 1/3 CCD Camera with 0.01 LUX.*

To achieve the distance needed, please pay attention to your camera specifications and lens before purchase. It is normal phenomenon that distance may vary due to different cameras and lens.

Mechanical Drawings



Viewing Picture at Night



With white light



Without white light