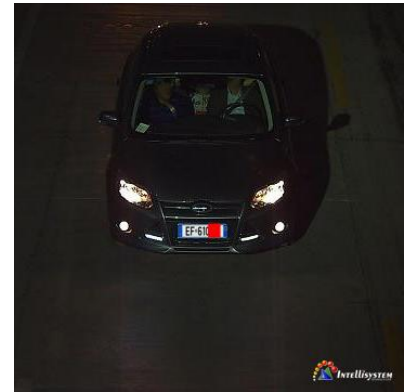


# IT-3128SZN-WLSL LED Strobe Lamp Version: V3



LPR/ANPR PICTURE



## Product Overview

IT-3128SZN-WLSL Digital LED Strobe Light is a high power and smart performance digital pulse strobe lamp applying for Intelligent Traffic System applications. It's suitable for traffic crossing; urban road and high way for number plate recognition and speed measurement. Complied with latest professional strobe control circuit, it can accurately control strobe flash time, brightness and output of high instantaneous power. It has rapid recycling time and long lifespan, through synchronization with the strobe lamp, ITS cameras can obtain clear pictures of number plate, vehicle body and cab under any kind of environment with less influence of human eye.

### Copyright Announcement

*Trademark, name of software and hardware mentioned in this user manual are all belong to the corresponding company. Without our company's official permission, no organization or individual are allowed to copy or spread this user manual in any form by any means.*

***The contents of this manual will be changed without prior notice.***

## Produce Features

- Accurately control flash duration
- Accurately control instant / delay trigger
- Instant flash output in high brightness
- Instant recycling, assure sequence flashing rapidly
- Less influence of human eye
- Set up and adjustment through RS485 port on PC, data will not be lose if power down
- Suit for multiple ambient light efficacy requests through different setting
- Low heating, long life span, the brightness is several times more than common led lamp

## Specifications

|                             |   |
|-----------------------------|---|
| <b>Model</b>                | <b>IT-3128SZN-WLSL</b>  |
| <b>Main Processor</b>       | High performance MCU  |
| <b>Adjustment Port</b>      | RS485 Port  |
| <b>LED Type</b>             | 28 pcs Cree high bright white light LED   |
| <b>Beam Angle</b>           | 8°(standard), 15°, 30° (optional)   |
| <b>Wavelength</b>           | 400-780nm   |
| <b>Day/night Switch</b>     | Environmental brightness detection  |
| <b>Strobe Interface</b>     | Support video and strobe synchronization  |
| <b>Strobe Mode</b>          | Mode D: Continuous strobe flash under 100Hz frequency, duty cycle adjustable. (Compatible with Dahua ITS camera)<br>Mode H: Strobe flash under frequency between 50Hz-400Hz, duty cycle 1-30%. (Compatible with Hikvision ITS camera) |
| <b>Power Supply</b>         | AC165~220V  |
| <b>Power Consumption</b>    | Average≤35W, Peak:140W  |
| <b>Best Distance</b>        | 15-28m, width 5-10m   |
| <b>Synchronization Port</b> | 1 Strobe flash trigger input  |
| <b>Trigger Method</b>       | Low electrical level / switching value  |
| <b>Housing Material</b>     | Aluminum + toughened glass  |
| <b>Cooling</b>              | Heating dissipating housing   |
| <b>Lightning Protection</b> | Common mode 4KV, Different mode 2KV   |
| <b>Protection Level</b>     | IP66  |
| <b>Working Temperature</b>  | -40~+50°C   |
| <b>Storage Temperature</b>  | -40~+85°C   |
| <b>N.W</b>                  | 2.5kg   |
| <b>Size</b>                 | 261*202*90mm  |

## Hardware

Control signal port, strobe trigger port and power wire

## Wiring Definition

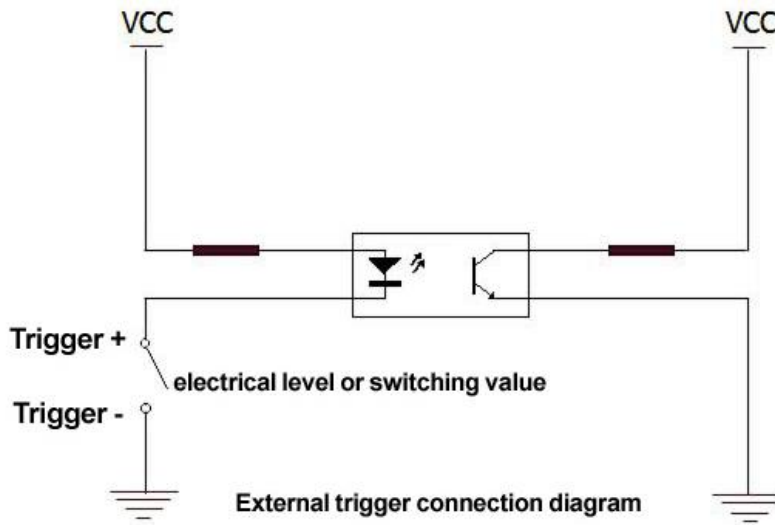
Control signal:

| Base pin | Color of outgoing wire | Signal | Remark       |
|----------|------------------------|--------|--------------|
| 1        | Yellow                 | RS485+ | Not isolated |
| 2        | Green                  | RS485- |              |

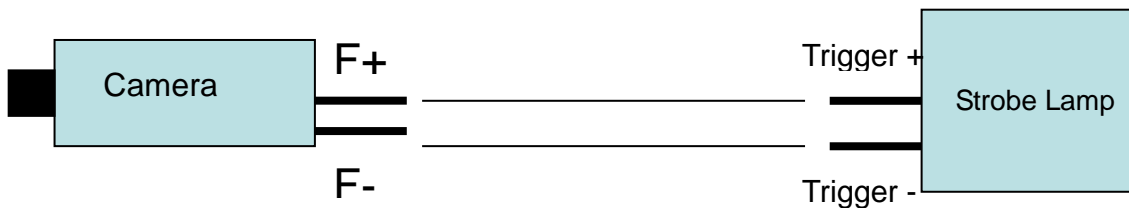
Strobe Trigger:

| Base pin | Color of outgoing wire | Signal   | Remark |
|----------|------------------------|----------|--------|
| 1        | Orange                 | Trigger+ |        |
| 2        | White                  | Trigger- |        |

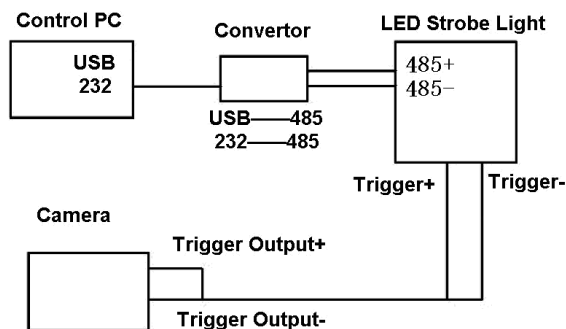
#### 4. The principle diagram of interface



#### 5. Connection between camera and flash lamp



#### 6. Wiring diagram between camera and strobe lamp



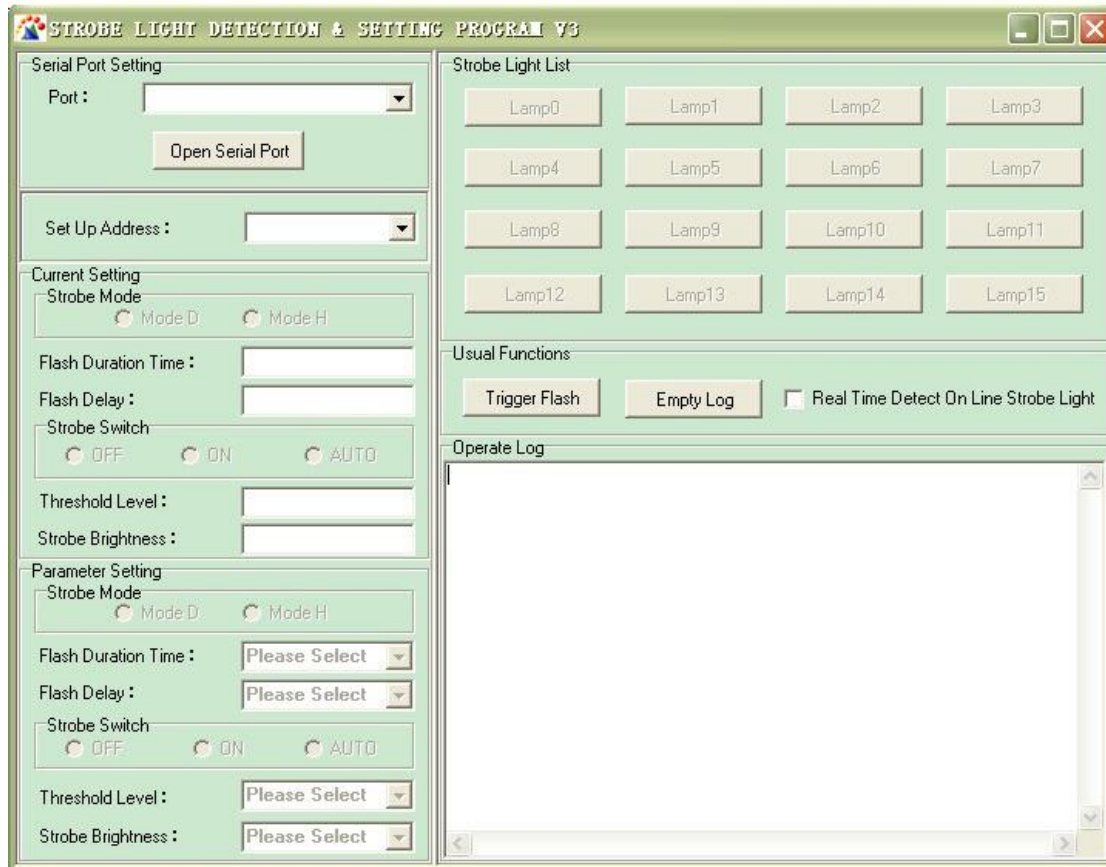
## Software

The software control program is used to setting up configuration parameters of our company's LED strobe lamp. Through RS485 it is able to control and set up parameters of maximum 16pcs online LED Strobe lights easily.

## Support System

Windows 32-bit operating system; i.e: Win2000/XP etc.

## Software Interface



**Port:** Click the drop-down list choose control PC and Serial port of LED Strobe light, make sure communication is normal controlling.

**Note:** A. If communication is normal, the strobe mode will turn **OFF** automatically and the operate log will show the status. Now you can set up other parameter. If communication is not normal, check and make sure all cable are connected correctly.

B. After all parameter set up are ready, click the strobe switch into **ON** and the strobe light will lighting. If no lighting means the product is not working normally. Please retry connection again.

**2. Set Up Address:** Click the drop-down list to change the current selected strobe light address, after change successfully the new address will be writing in.

**Note:** Address cannot be reduplicated as the current on-line strobe light.

**3. Strobe Mode:** Select model **D** and **H** to adapt to different camera.

**Mode D:** Click **Strobe Switch ON**, the product will start to strobe by video sync. Signal of camera.

**Mode H:** Click **Strobe Switch ON**, the product will not strobe until camera gives pulse trigger signal.

Set up multiple frequency pulse and duty ratio of the camera to proper way.

**4. Strobe Switch:** Click **ON**: Strobe all the time. Click **OFF**: No strobe. Click **AUTO** Strobe will be controlled by Day/Night switch sensor.

Note: Only when the **Strobe Switch** set to **OFF**, other parameter setting can be done. If you want to modify other setting, please set it off at first.

**5. Strobe Brightness:** Click the drop-down list to change the brightness of strobe, level 1-4. (1=1ms)

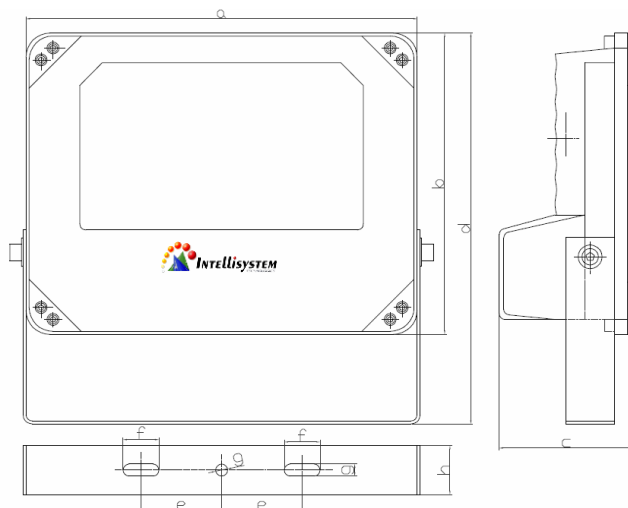
**6. Trigger Flash:** Click the button to trigger the product flash under current setting of **Flash Duration Time** and **Flash Delay**.

**7. Operate log** will updated whether your setting is successful or failed, check the operate log after every step.

## Warning!!

- The same RS485 port can't connect to two strobe light with same address, otherwise it may cause hardware damage.
- The power wire should connect to ground wire, otherwise may cause electrical shock.

## Dimensions



|          |          |
|----------|----------|
| a: 261mm | b: 202mm |
| c: 90mm  | d: 262mm |
| e: 54mm  | f: 24mm  |
| g: 8mm   | h: 33mm  |

## After sales service

Product damaged except artificial reason and the force majeure is under 24 months warranty, lifetime maintenance with cost price.

## Disclaimer

All products, product specifications and data are subject to change without notice.

