

# IT-3101SZN-WLSL LED Strobe Light Version: V3



## Product Overview

IT-3101SZN-WLSL Digital LED Strobe Light is a high power and smart performance digital pulse strobe light for ANPR (Auto Number Plate Recognition) system. It's widely apply into traffic crossing, urban road and high way for capture number plate and speed measurement. Complied with our latest professional strobe control circuit, it is featured as rapidly relighting, long service life, accurate control of flash time and brightness, evenly high instantaneous power output. Through precision adjustment control software to synchronize camera and obtain clearly pictures under any kinds of environment with less influence of human eye.

### Copyright Announcement

*Trademark, name of software and hardware mentioned in this user manual are all belong to the corresponding company. Without our company's official permission, no organization or individual are allowed to copy or spread this user manual in any form by any means.*

***The contents of this manual will be changed without prior notice.***

## Produce Features

1. Accurately control flash time.
2. Accurately control Instant / delay trigger time.
3. Instant light output in high brightness.
4. Support continuous high brightness flash output.
5. Instant relighting, assure sequence flashing rapidly.
6. Less influence of human eye.
7. Set up and adjustment through RS485 port on PC, data will not be lose if power down.
8. Suit for multiple ambient light efficacy request through different setting.
9. Low heating, long life span, the brightness is several times more than common led strobe light.

## Specifications

**Model:** IT-3101SZN-WLSL

**Main Processor:** High performance MCU

**User Interface:** RS485 port

**LED:** 48 pcs Osram high brightness white light LED

**Beam Angle:** 15° (standard), 30°, 45° (optional)

**D/N switch:** environmental brightness detection

**Flash Port:** flash trigger input signal

**Strobe Port:** frequency strobe, depended on multiple frequency pulse signal from camera, duty ratio can be adjusted

**RS485 Port:** connect to PC or camera

**Parameter Setting:** support internal setting such as strobe brightness etc.

**Power Supply:** AC165~220V

**Power Consumption:** Average≤45W, **Peak:** 168W

**Flash Duration Time:** 1ms~5ms (Unit: ms)

**Trigger Delay:** 0ms~5ms (Unit: ms)

**Strobe Brightness Level:** 1~5

**Trigger Method:** electrical level、switching value、RS485 order

**Protection level:** IP66

**Working temperature:** -40~+50°C

**Storage temperature:** -40~+85°C

**N.W:** 3.75kg

**Size:** 261\*261\*90mm

## Hardware

1. Power wire: Support AC110-220V input.
2. Control signal port, Trigger signal port and flash port.
3. Wiring definition.

a. Control:

Base pin	Color of outgoing wire	Signal	Remark
1	Yellow	RS485+	Not isolated
2	Green	RS485-	

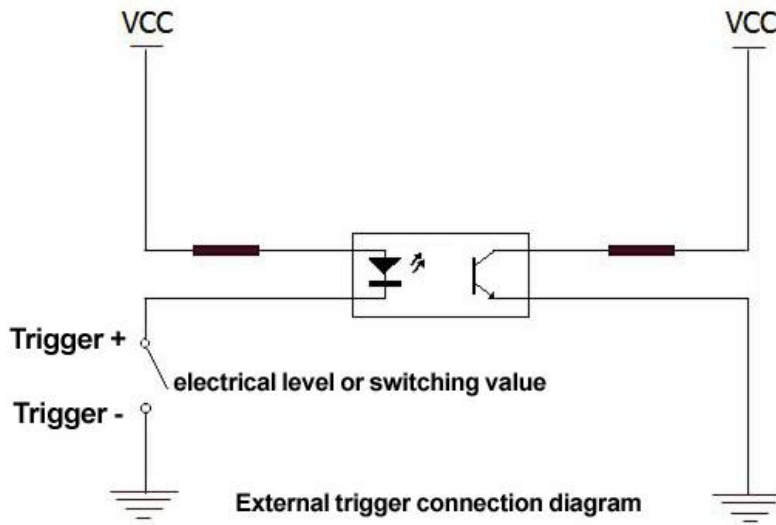
b. Flash Trigger:

Base pin	Color of outgoing wire	Signal	Remark
1	Red	Trigger+	
2	Black	Trigger-	

c. Video Strobe:

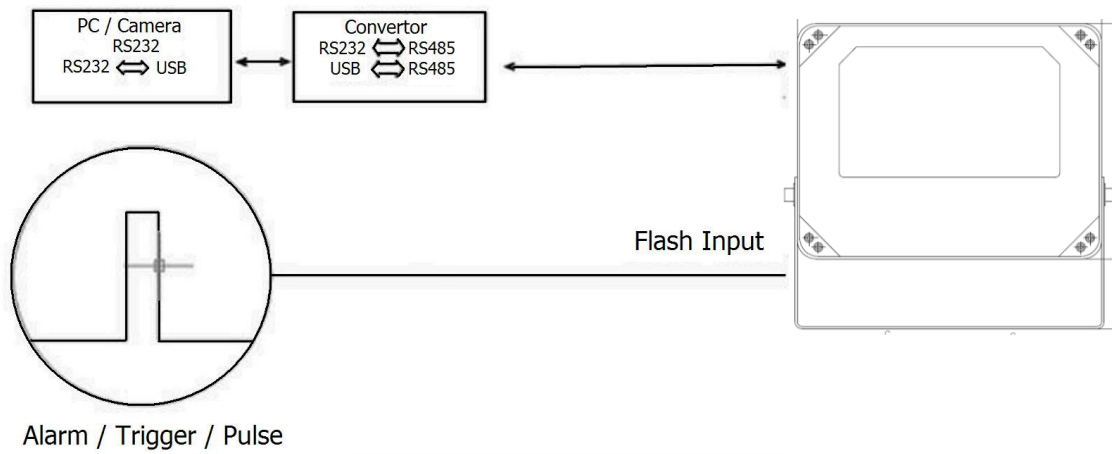
Base pin	Color of outgoing wire	Signal	Remark
1	Orange	Trigger+	
2	White	Trigger-	

#### 4. The principle diagram of interface

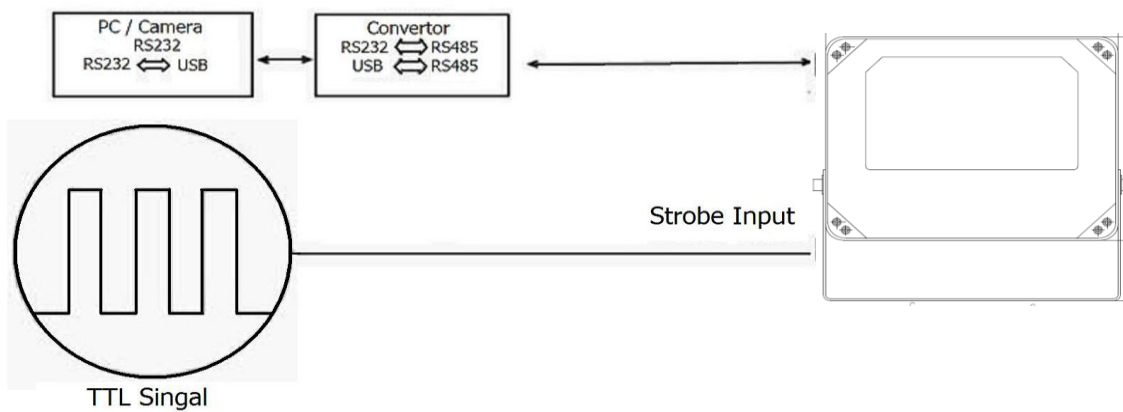


#### 5. Wiring diagram

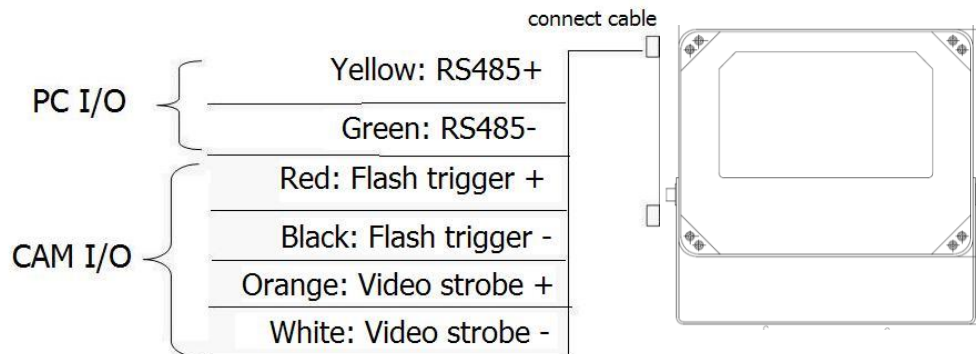
##### a. flash mode



##### b. strobe mode



### c. connection



1. Input electrical/switching signal to LED strobe light
2. Adjust delay time and duration time through RS485 on PC
3. Maximum trigger frequency 100Hz
4. Video strobe duration time: Maximum 5ms  
Flash trigger duration time: Maximum 10ms
5. Support input voltage DC3.3V-DC12V

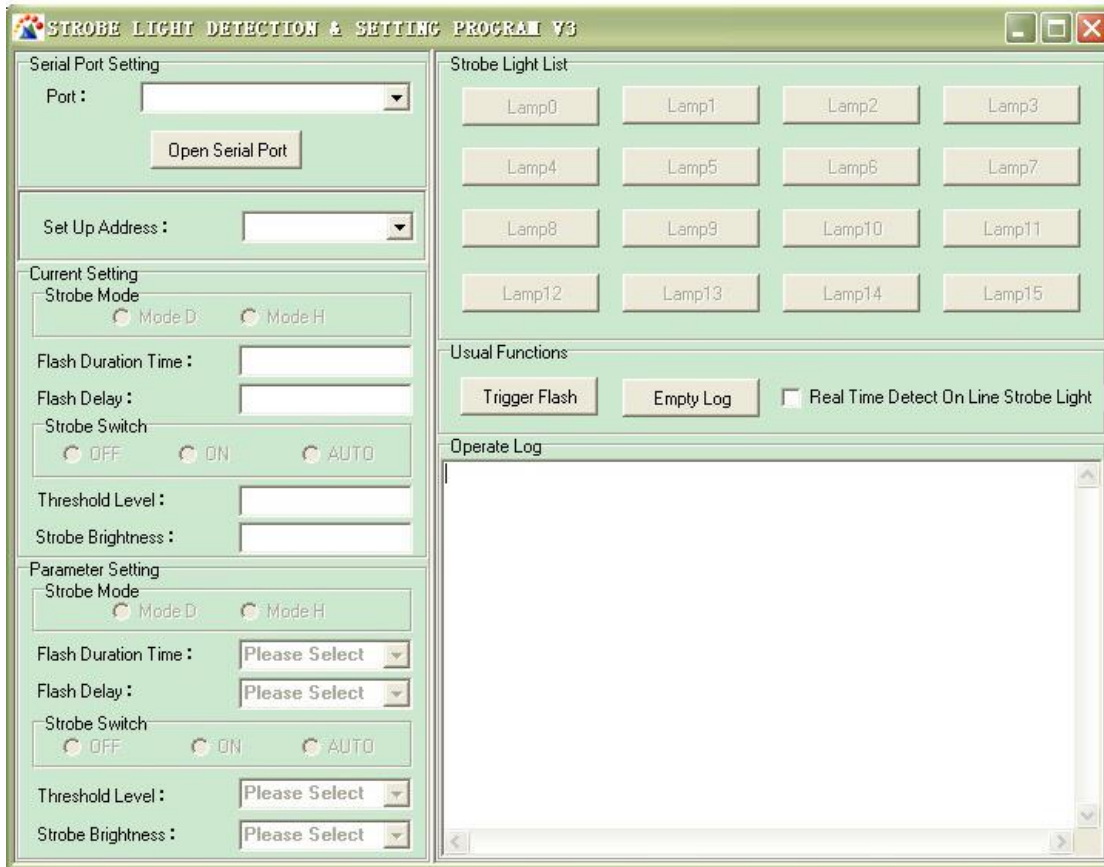
## Software

The software control program is used to setting up configuration parameters of our company's LED strobe light. Through RS485 it is able to control and set up parameters of maximum 16pcs online LED Strobe lights easily.

## Support System

Windows 32-bit operating system; i.e. Win2000/XP etc.

## Software Interface



1. **Port:** Click the drop-down list choose control PC and Serial port of LED Strobe light, make sure communication is normal controlling. Note:

A. If communication is normal, the strobe mode will turn **OFF** automatically and the operate log will show the status. Now you can set up other parameter. If communication is not normal, check and make sure all cable are connected correctly.

B. After all parameter set up are ready, click the strobe switch into **ON** and the strobe light will lighting. If no lighting means the product is not working normally. Please retry connection again.

2. **Set Up Address:** Click the drop-down list to change the current selected strobe light address, after change successfully the new address will be writing in.

Note: Address cannot be reduplicated as the current on-line strobe light.

3. **Strobe Mode:** Select model **D** and **H** to adapt to different camera.

**Mode D:** Click **Strobe Switch ON**, the product will start to strobe by video sync. Signal of camera.

**Mode H:** Click **Strobe Switch ON**, the product will not strobe until camera gives pulse trigger signal.

Set up multiple frequency pulse and duty ratio of the camera to proper way.

4. **Flash Duration Time:** Click the drop-down list to change the flash duration time of current strobe light. Each step 1ms, range 1ms~5ms.

Note: Keep flash time and shuttle time in the same.

5. **Flash Delay:** Click the drop-down list to change flash delay of current strobe light. Each step 1ms, range 0ms~5ms.

Note: Default: 0ms.

6. **Strobe Switch:** Click **ON:** Strobe all the time. Click **OFF:** No strobe. Click **AUTO** Strobe will be controlled by Day/Night switch sensor.

Note: Only when the **Strobe Switch** set to **OFF**, other parameter setting can be done. If you want to modify other setting, please set it off at first.

7. **Threshold Level:** Available when **Strobe Switch** to **Auto**. Click drop-down list to adjust the brightness level of Day/Night switch, level 0-5.

8. **Strobe Brightness:** Click the drop-down list to change the brightness of strobe, level 1-5. (1=1ms)

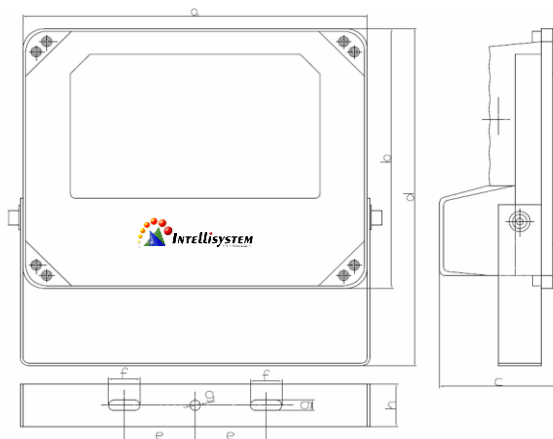
9. **Trigger Flash:** Click the button to trigger the product flash under current setting of **Flash Duration Time** and **Flash Delay**.

10. **Operate log** will updated whether your setting is successful or failed, check the operate log after every step.

## Warning!!

- The same RS485 port can't connect to two strobe light with same address, otherwise it may cause hardware damage.
- The power wire should connect to ground wire, otherwise may cause electrical shock.

## Dimensions



a: 261mm	b: 261mm
c: 90mm	d: 322mm
e: 54mm	f: 24mm
g: 8mm	h: 33mm

## After sales service

Product damaged except artificial reason and the force majeure is under 24 months warranty, lifetime maintenance with cost price.

## Disclaimer

All products, product specifications and data are subject to change without notice.

