

# IT-1204SZN-WLSL License Plate Recognition Flash Lamp



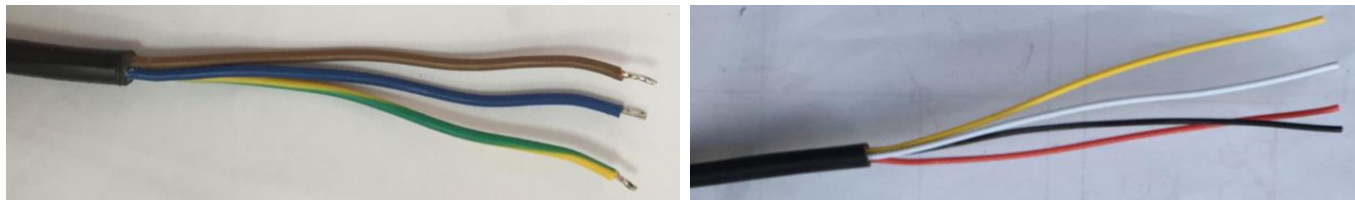
## Product Overview

IT-1204SZN-WLSL is designed as the high efficacy Xenon flash lamp for traffic enforcement system. Through camera control, it provides accurate synchronous flashlight for snapshot. Under the condition of complete darkness, it helps camera system obtaining clearly pictures of number plate, vehicle body and cab. It's an ideal flash lamp for traffic enforcement system.

## Features

- Low recycling time, applied for high speed snapshot.
- Peak power flashing, effectively enhance quality of pictures.
- Trigger by electric level or switching value.
- Easily installation and adjustment.
- Anti-glare design, effectively reduce the eye stimulation.

## Wiring Definition



Base pin	Color of outgoing wire	Signal
1	Brown	Input AC220V L-line
2	Blue	Input AC220V N-line
3	Yellow-Green	Input AC220V PE
4	Red	Flash trigger + (electric level)*
5	Black	Flash trigger - (electric level)*
6	Yellow	Flash trigger + (switching value)*
7	White	Flash trigger - (switching value)*

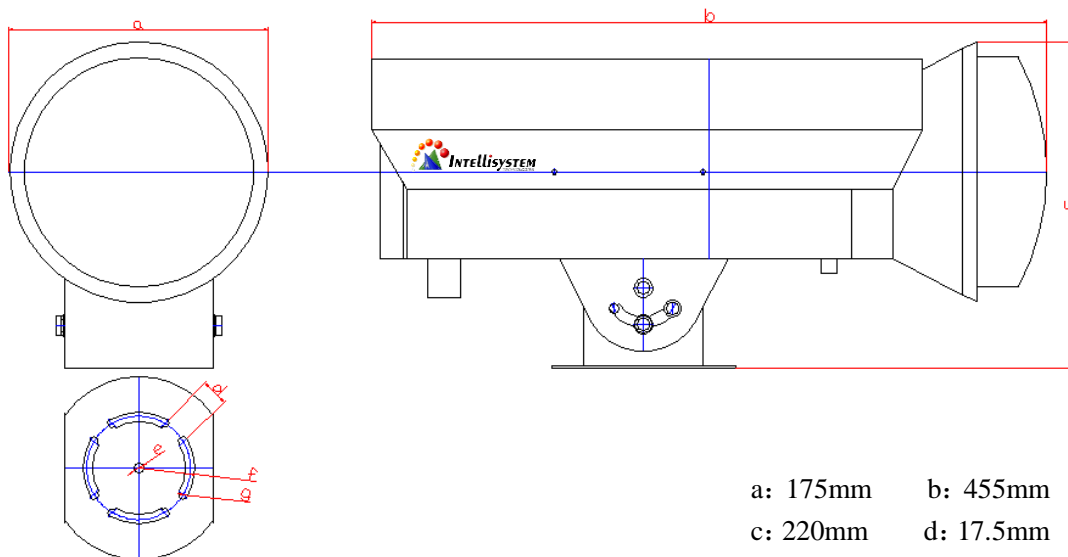
## Matters need attention

1. It is forbidden to install this product upside down.
2. Except artificial reason and the force majeure, the light tube is under 20million times warranty, control circuit has 24months warranty, lifetime maintenance with cost price.
3. This lamp is expendable, light decay is normal phenomenon after long time use.
4. Using outdoor electronic product safety reasons, the ground wire must be connected to the qualified ground device to protect the products.
5. The product powered with high voltage. It is strictly prohibited to open personally.
6. To avoid water in, the power port must be downward and the power wire must not be tighten.
7. We seek to make the accuracy between product and data, but we can't cover all the application field. Specification and design are subjected to change without notice.

## Technical Specifications

Items	Specifications
Working voltage	AC220V±10%/48Hz~52Hz
Color temperature	5500K±500K
Flash energy	200J
Power consumption	average power < 100W (@1 flash/s), Maximum power In instant < 300W
Peak flash duration	1/30ms
Recycle time	< 67ms
Effective distance	16m~25m
Cover area	1 lane
Trigger mode	electric level, +5VDC, switching value
Operate life	≥20million times
Working temperature	-20~+70°C
Working humidity	5%~90%@40°C, No condensation
Protection level	IP65
Dimension	455mm*175mm*200mm
Net Weight	3.57kg

## Dimensions



a: 175mm      b: 455mm  
c: 220mm      d: 17.5mm  
e: 7mm          f: 35mm  
g: 3.5mm

## Disclaimer

All products, product specifications and data are subject to change without notice.