

# IT-1203SZN-WLSL License Plate Recognition Flash Lamp



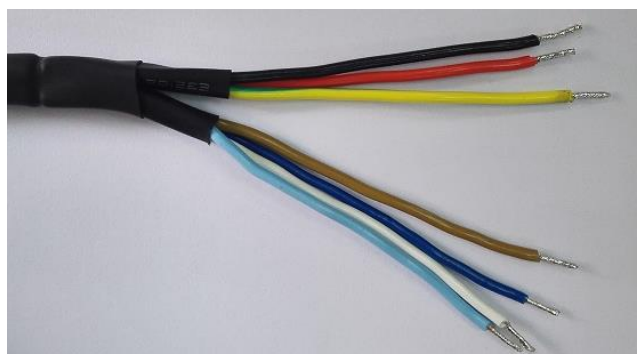
## Product Overview

IT-1203SZN-WLSL is designed as the high efficacy light sources for application system of license plate recognition. Under the condition of complete darkness, it helps camera system obtaining clearly pictures of number plate, vehicle body and cab.

## Features

- High luminous efficiency, long lifespan, good stability and high reliability.
- Anti-glare design, effectively reduce the eye stimulation.

## Wiring Definition



Base pin	Color of outgoing wire	Signal
1	Brown	Input AC220V L-line
2	Blue	Input AC220V N-line
3	Yellow-Green	Input AC220V PE
4	Red	Strobe trigger input + (switching level)
5	Black	Strobe trigger input - (switching level)
6	Yellow	RS485 A
7	Green	RS485 B
8	Orange	Strobe trigger output + (switching level)
9	White	Strobe trigger output - (switching level)

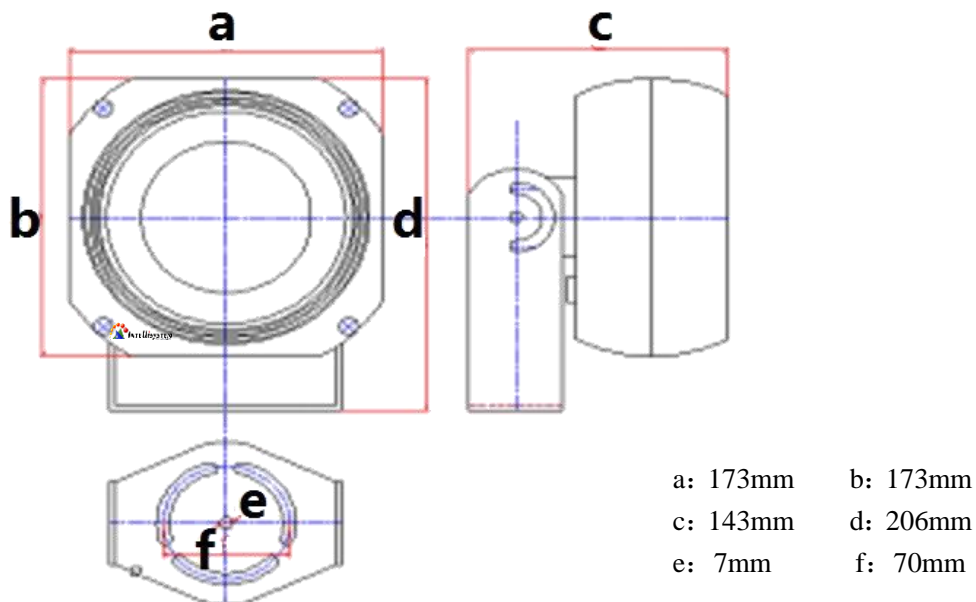
## Matters need attention

1. Except artificial reason and the force majeure, the light tube is under 3million times warranty, control circuit has 24months warranty, lifetime maintenance with cost price.
2. Using outdoor electronic product safety reasons, the ground wire must be connected to the qualified ground device to protect the products.
3. The product powered with high voltage. It is strictly prohibited to open personally.
4. The flash lamp has automatically high temperature protection, when internal temperature is over 100°C the lamp will stop working till it reduce to lower temperature.
5. To avoid water in, the power port must be downward and the power wire must not be tighten.
6. We seek to make the accuracy between product and data, but we can't cover all the application field.
7. Specification and design are subjected to change without notice.

## Technical Specifications

Items	Specifications
Flash energy	16J
Color temperature	5600K
Recycle time	< 400ms
Peak flash duration	< 0.1ms
Operate life	≥3million times
Trigger mode	Low electric level, switching value
Cover area	4m~5m@10m
Effective range	4m~5m
Working voltage	154VAC~265VAC
Frequency	48Hz~52Hz
Power consumption	Average power<16W(@1 flash/s), Maximum power in instant<150W
Working temperature	-20~+60°C
Working humidity	5%~95%@40°C, No condensation
Protection level	IP66
Dimension	173mm*173mm*143mm
Net Weight	2.50kg

## Dimensions



## Disclaimer

All products, product specifications and data are subject to change without notice.