

IT-SHZ33-A-WL

With 10 high power LEDs for a total power consumption of 20W, beam angle 15° to 90°, beam distance 40m to 5m, the IT-SHZ33-A-WL is a high service of life Camera Housing with built-in White Light Illuminator.



- Wavelength 400-780nm.
- 30,000 hours lifetime LEDs.
- Extended working temperature range -40 to 60°C.
- 1-2 years warranty.

Product Family

The IT-SHZ33-A-WL is part of the High-Power Camera Housing with built-in White Light Illuminator series that is the quality LED light source solution for night-time illumination, providing high-power light for CCTV and IP cameras to enhance night-time visual performance with colorful images.

Product Features

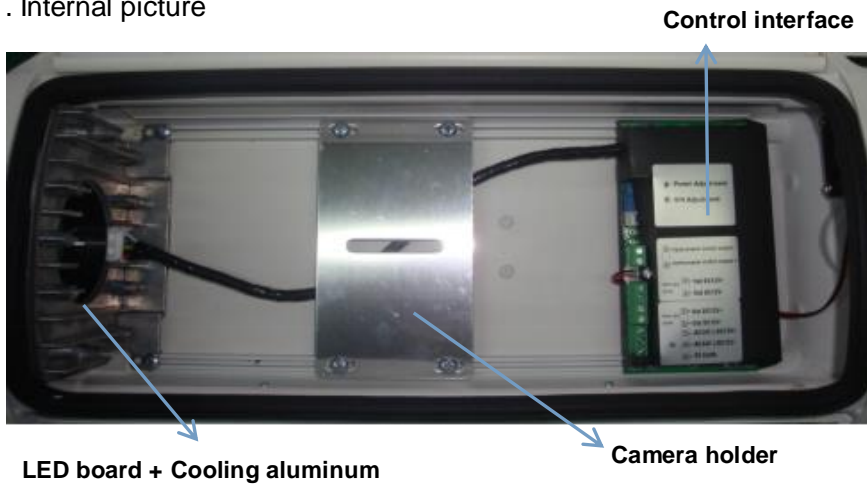
- Smart uniform irradiation solution improves image quality & monitoring effect.
- Leading LED technology provides high efficiency and long life span of LEDs.
- Accurate constant circuit drive develops excellent performance of product.
- Power and Day & Night switch manually controlled.
- Full light for night vision camera.
- Indoor/outdoor use, all-weather use.
- High integrated solution for easy installation and saving cost.

Maintenance

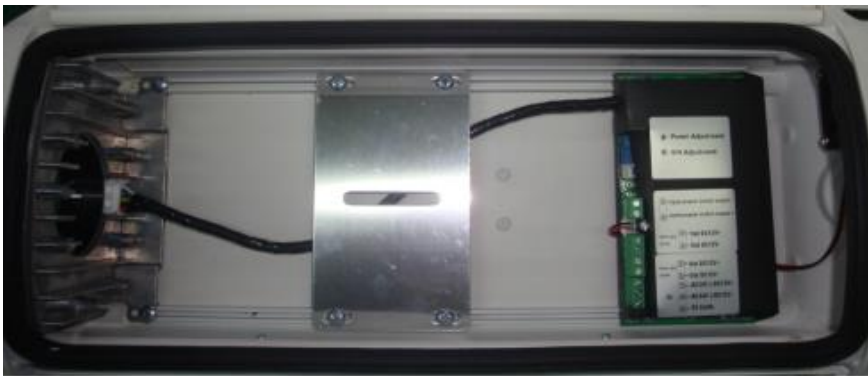
1. Cut off power before maintenance.
2. Clean the glass regular to get better transmission of light.
3. Clean the housing to get well heat dissipation performance.
4. Clean by dry dishcloth, don't use water or strong corrosive solution.

Camera Installation and Adjustment

1. Internal picture



2. Internal space dimensions



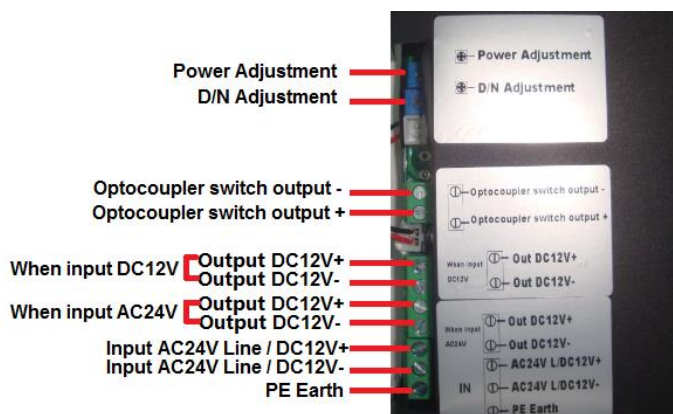
Lens size: $\phi 57\text{mm}$

Length: 30mm ($\phi 57\text{mm}$) + 200mm

Width: 90mm

Height: 16mm (camera holder to bottom of lens) + 58mm (lens) + 16mm (top of lens to top of led board)

3. Control interface



Camera Housing Installation

- The product includes fragile parts. Take care on every transportation steps and hold carefully, do not stress!
- Ensure operating voltage and current are proper before installation.
- Install the product on the holder by fixing the mount hold with screws directly.
- Adjust the angle of product by loosening screws on bracket.
- Link power wires tightly and make it waterproof to avoid electric shock.
- Connect with extra power wire should make it waterproof at the same.
- The outlet of power wire should be installed downward.
- Don't use against any fire precaution rules during operation.
- Installation requested professional operation and qualified personnel.
- Connect our sales person if you need additional parts for installation.

Technical Specifications

LED type: 10 pieces High Power White Light LEDs

Color temperature: 5000K - 6500K

Wavelength: 400 - 780nm

Beam angle: 15° - 90°

White light distance: 40m - 5m

Day & Night switch: CDS 10-20 lux ± 10% (adjustable)

Input voltage: AC110-220V

Output voltage: DC12V 1000mA

Power consumption: 20W (adjustable)

Panel: Tempered glass panel

Housing: Aluminium die casting housing

Bracket: Bottom mount bracket

Working temperature: -40°C to +60°C (-50°C to +60°C with heater)

Cooling: Air cooling internal circulation

Blower: Included

Protection level: IP66

Color: Beige

Net weight: 3.3 kg

Gross weight: 3.85 kg

Packing dimensions: 482*225*170mm

Bracket (optional)

Material: Aluminum Alloy

Size: 83*123.9*304mm

Net weight: 0.45 kg

Gross weight: 0.6 kg



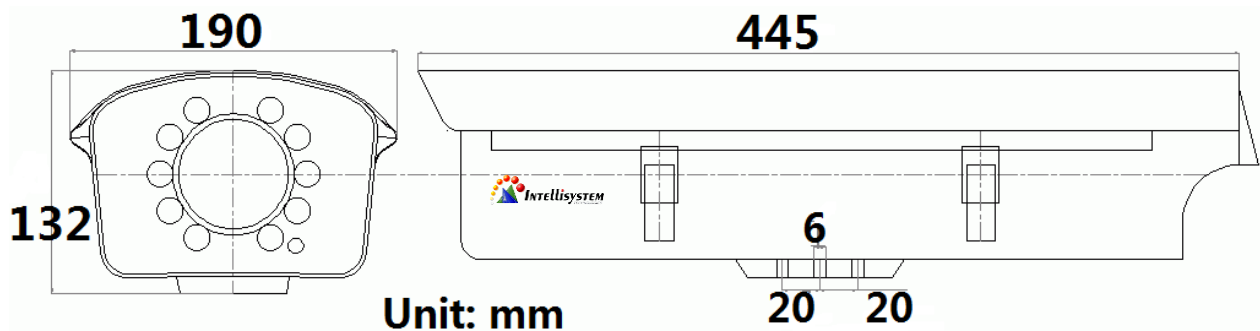
Models for Selection

Model	Beam angle	Viewing distance
IT-SHZ33-A-15-WL	15°	40m
IT-SHZ33-A-30-WL	30°	30m
IT-SHZ33-A-45-WL	45°	20m
IT-SHZ33-A-60-WL	60°	10m
IT-SHZ33-A-90-WL	90°	5m

**White light distance is tested by SONY 1/3" CCD Camera.*

To achieve the distance needed, please pay attention to your camera specifications and lens before purchase. It is normal phenomenon that distance may vary due to different cameras and lens.

Mechanical Drawings



Viewing Picture at Night



With white light



Without white light