



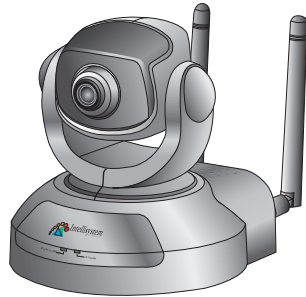
IT310W Pan/Tilt Network Camera

Quick Installation Guide

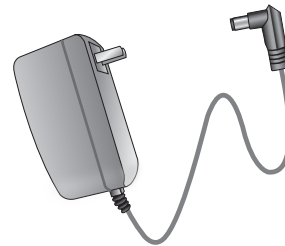
This guide describes the basic functions of IT310W. All detailed information is described in the user's manual.

1 Check package contents

● IT310W



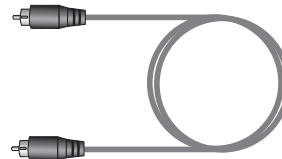
● Power adapter



● Camera stand



● A/V cable



● Software CD

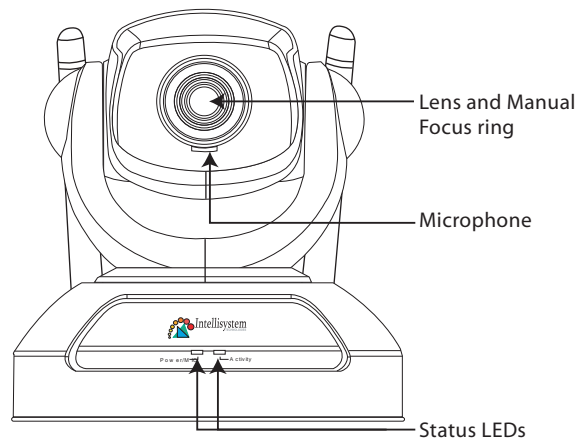


● Remote Controller

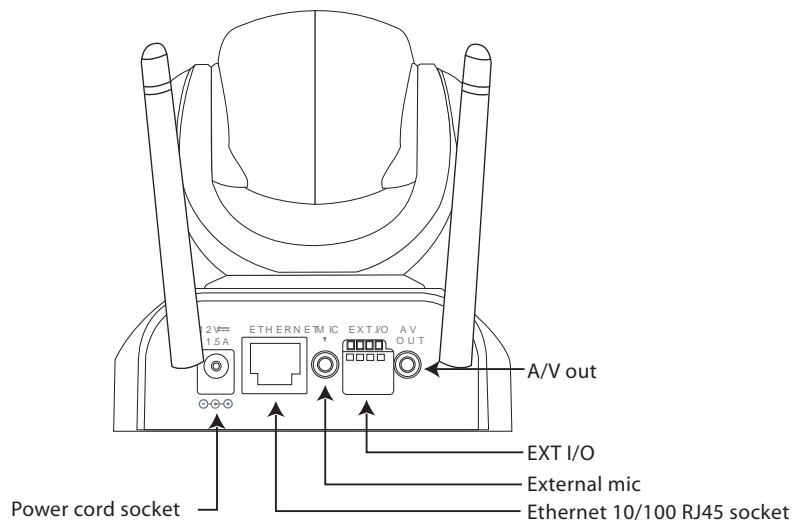


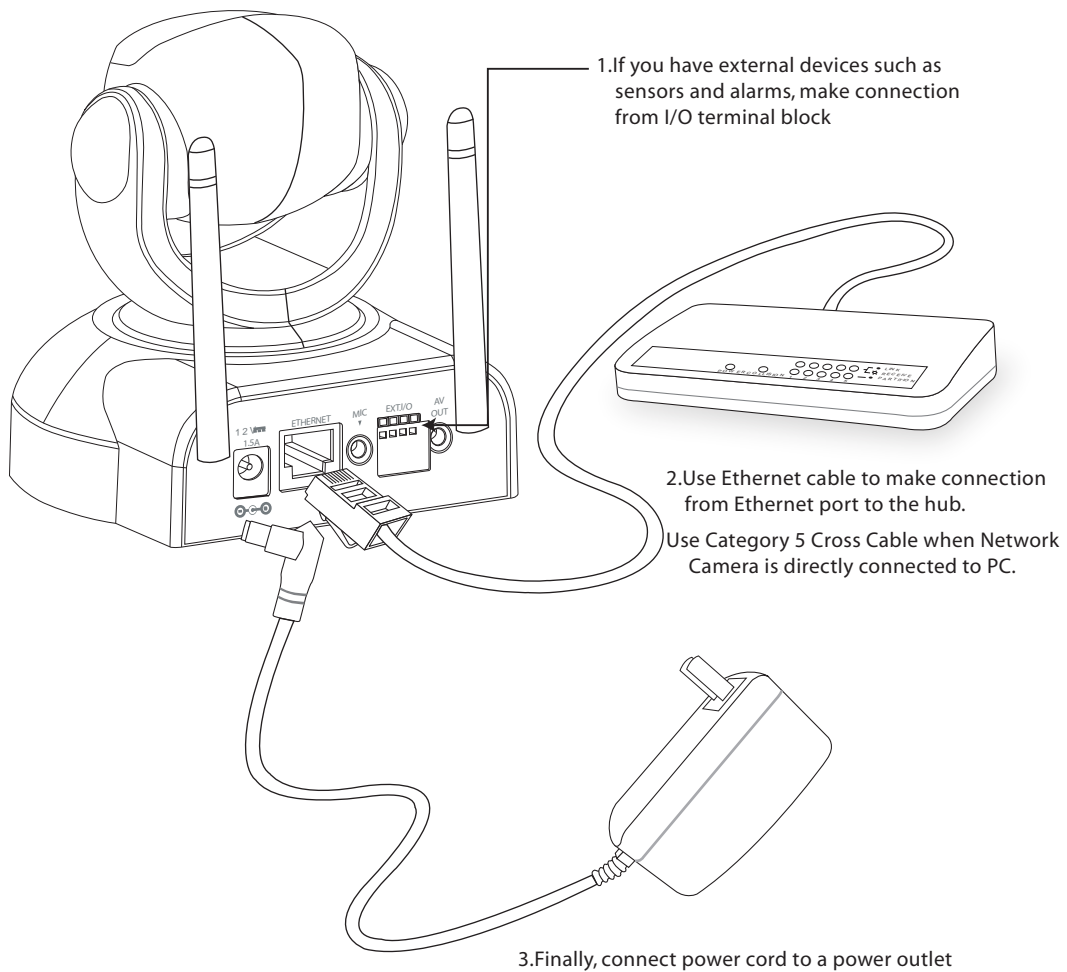
2 Physical description

● Front panel



● Back panel

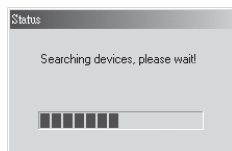


3**Install your Network Camera in Ethernet network**

4 Assign IP address

1.Run the Installer from CD-ROM

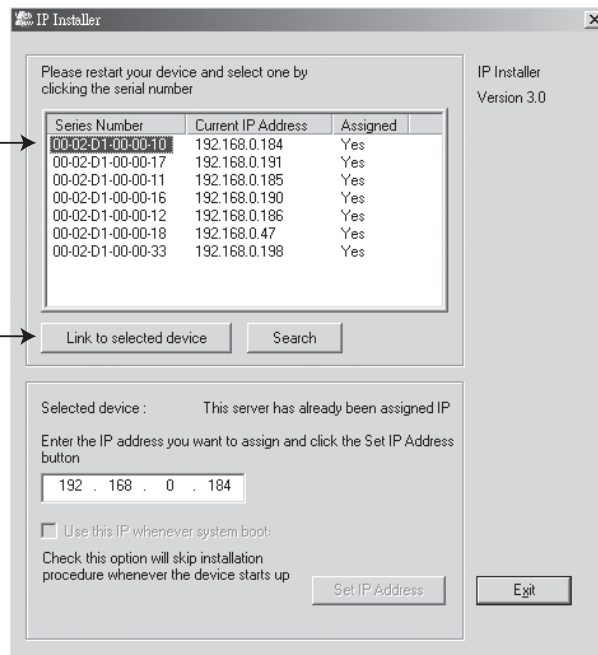
2.The program will search the cameras on the same LAN.



3.After searching, the main installer window will pop up. Click on serial number that matches the one you just note from

Physical description

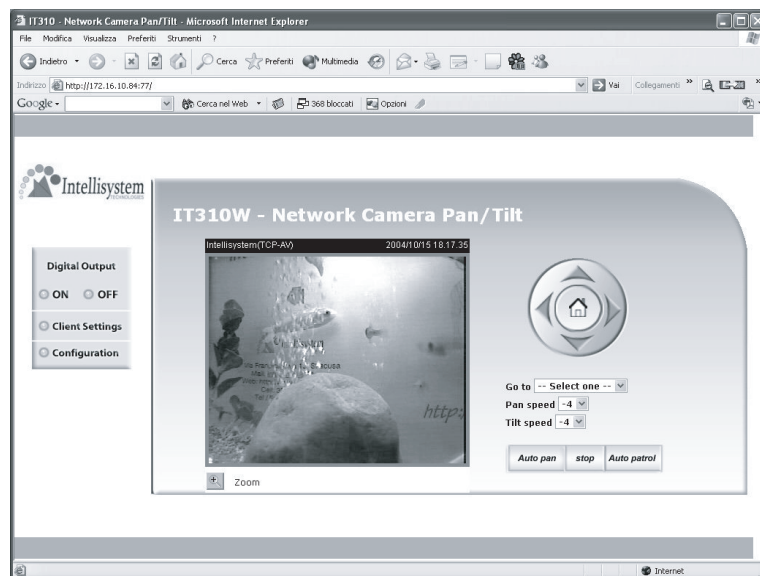
4.Click "Link to selected device" to invoke web browser to connect to the camera.



5

The Internet Explorer Connects to the Network Camera

At the initial access to the “Connection Type” page, the web browser will ask for a new plug-in installation, the plug in being Network Camera. This plug-in has been registered for certification and can be used to change the parameters at the client's site. The user may click on to install the plug-in. If the web browser does not allow the user to complete the installation, check the Internet security in order to set on your web browser to “Ask confirmation for download ActiveX control without electronic Signature” and so refresh the current web page. If the problem persist please contact your IT or networking supervisor.



For detailed information on further configuration, see user's manual on the CD-ROM.